

MLV11-8-500-AS-I/112

Diffuse mode sensor with AS-Interface

# MLV11-8-500-AS-I/112

with 5-pin M12 connector, 90° adjustable position

CE



- ◆ Sensing range up to 500 mm
- ◆ AS-Interface
- ◆ Diffuse reflective sensor for standard applications
- ◆ Visible red light
- ◆ Automatic adjustment of switching points (sensitivity) via TEACH-IN
- ◆ Pre-fault indication and output (dynamic and static)
- ◆ Multifunction input
- ◆ Parameterisation via optical communication link (e.g. optional time increments)
- ◆ Protection degree IP68
- ◆ All materials approved for food industry applications

Release date: 2006-10-17 18:40 Date of issue: 2006-10-17 109173\_ENG.xml

**General specifications**

Detection range	0 ... 500 mm
Light source	LED
Approvals	CE
Adjustment range	50 ... 500 mm
Reference target	standard white 100 mm x 100 mm
Light type	red, modulated light
Diameter of the light spot	25 mm at a distance of 500 mm
Ambient light limit	10000 Lux

**Indicators/operating means**

Operating display	LED green
Function display	TEACH-IN: LED green flashing switching state: LED yellow pre-fault indicator: LED red flashing
Operating elements	membrane keys for setting sensitivity and TEACH IN

**Electrical specifications**

Operating voltage	via AS-Interface network
Time delay before availability $t_v$	$\leq 80$ ms

**Output**

Switching type	light/dark switching
Signal output	AS-Interface
Switching current	$\leq 35$ mA
Switching frequency $f$	$\leq 1000$ Hz
Response time	$\leq 0.5$ ms
Timer function	parameterisable

**Standard conformity**

Standards	EN 60947-5-2
-----------	--------------

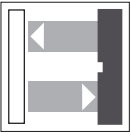
**Ambient conditions**

Ambient temperature	-25 ... 70 °C (248 ... 343 K)
Storage temperature	-40 ... 70 °C (233 ... 343 K)

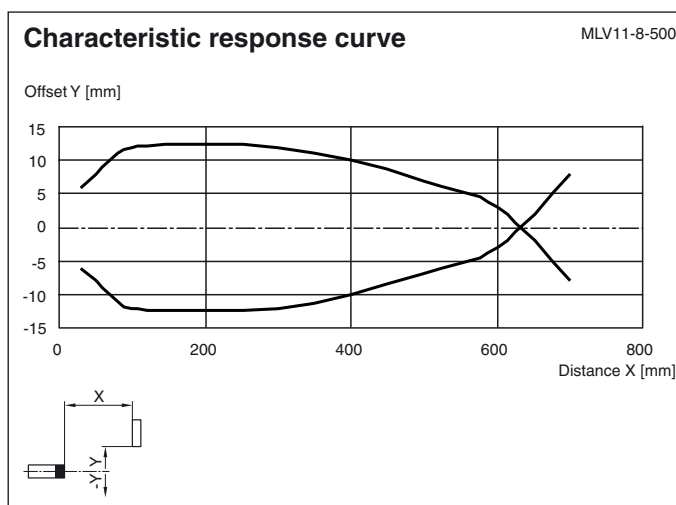
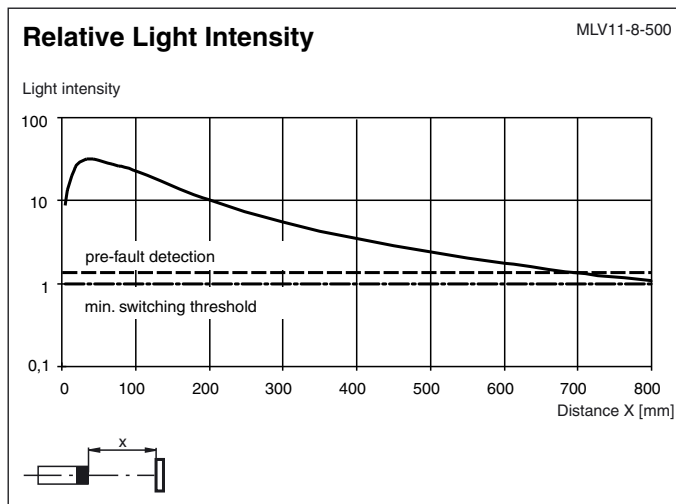
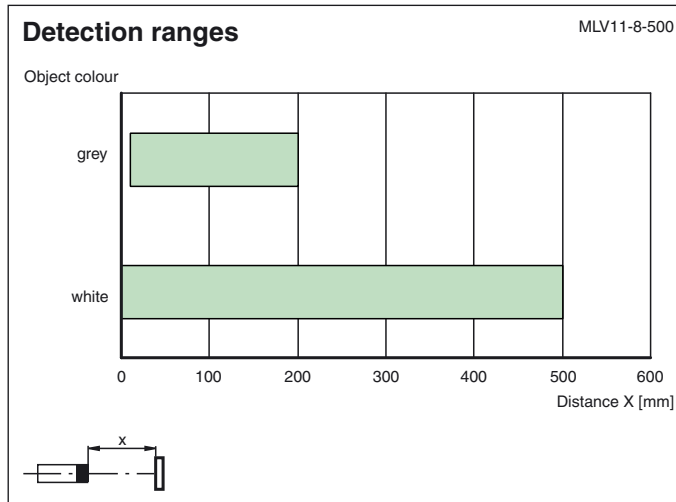
**Mechanical specifications**

Protection degree	IP68
Connection	5-pin M12 x 1 connector, 90° adjustable position
Material	
Housing	PBT
Optical face	scratch resistant plastic pane
Mass	60 g

Release date: 2006-10-17 18:40 Date of issue: 2006-10-17 109173\_ENG.xml



Curves/Diagrams



**AS-Interface programming**

Address preset to 00, can be changed via Busmaster or programming devices

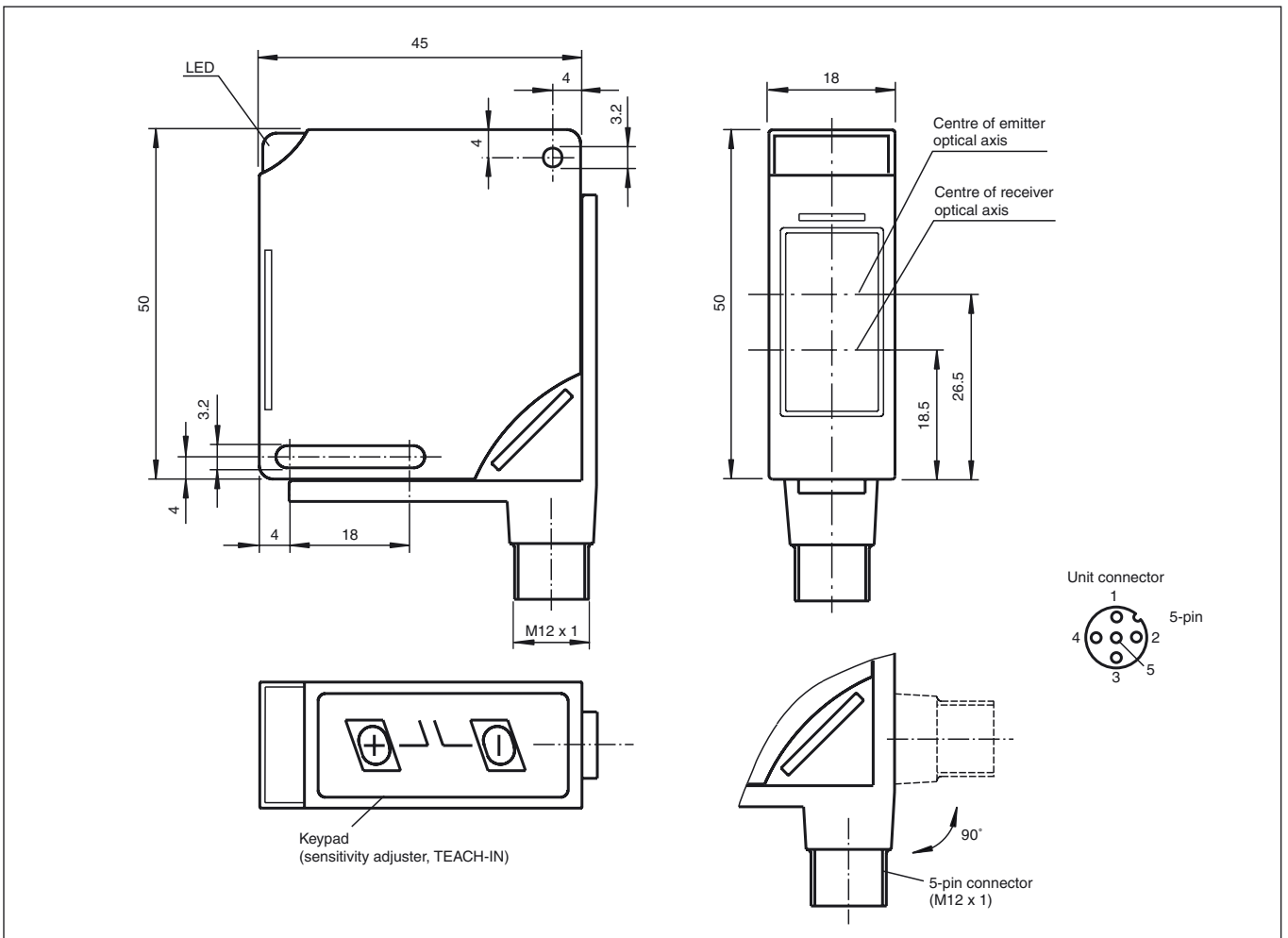
IO code 1

ID code F

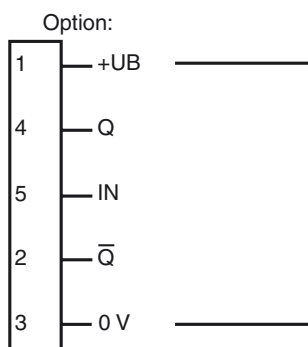
• **Data bit**

Bit	Function
D0	switch output
D1	pre-fault indication (0=ON, 1=OFF)

Dimensions



Electrical connection



○ = light on, ● = dark on

Release date: 2006-10-17 18:40 Date of issue: 2006-10-17 109173\_ENG.xml