



Model Number

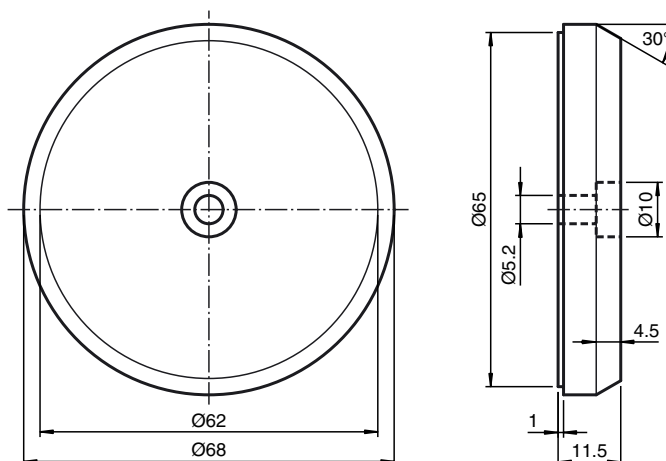
IPC02-68-T7

Code carrier

Features

- Battery-free high temperature code carrier
- Temperature cycles up to 200 °C
- 40 bit fixcode
- Readable from both sides
- Mounting holes for simple installation
- Protection degree IP67

Dimensions



Technical data

General specifications

Operating frequency	125 kHz
Transfer rate	2 kBit/s

Memory

Chip Type	EM4102 Unique (EM Microelectronic)
Type/Size	ROM 64 Bit (40 Bit code, 24 bit data security)
Read cycles	unlimited

Ambient conditions

Ambient temperature	-40 ... 140 °C (233 ... 413 K) 200 °C (473 K) for 60 min 250 °C (523 K) for 10 min 300 °C (573 K) for 5 min -40 ... 200 °C (233 ... 473 K) for 100 cycles x 10 min (1000 °C/min) 20 ... 200 °C (293 ... 473 K) for 500 cycles x 35 min
Storage temperature	-40 ... 85 °C (233 ... 358 K) -40 ... 160 °C (233 ... 433 K) for 1000 h

Mechanical specifications

Protection degree	IP67
Material	
Housing	LCP

Compliance with standards and directives

Standard conformity	
Protection degree	EN 60529

Notes

The surface containing the text must face the read/write head.