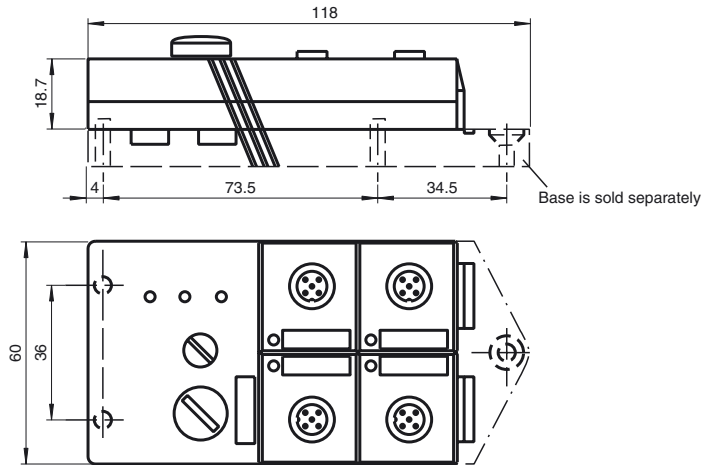
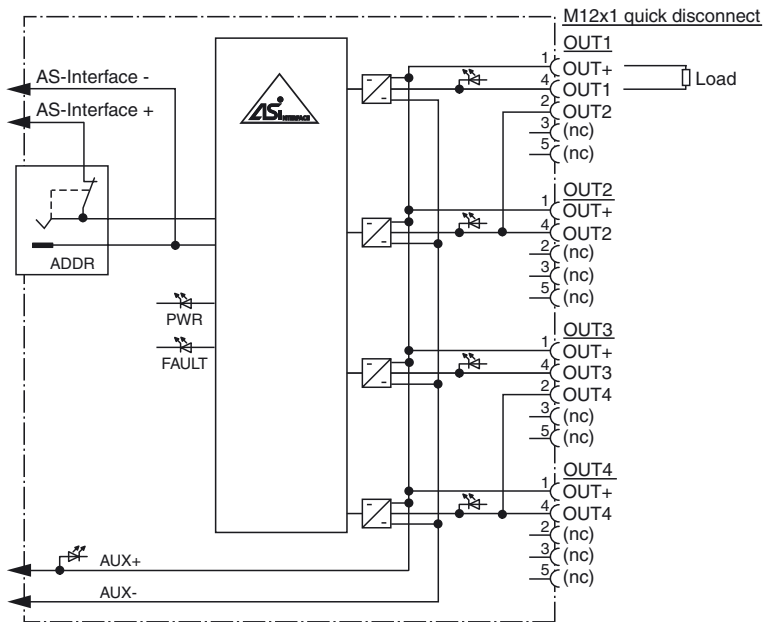




Dimensions



Electrical connection



Model Number

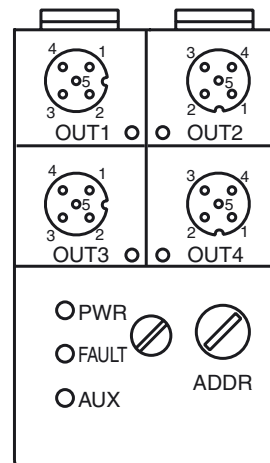
VAA-4A-G2-EA0

G2 flat module
4 electronic outputs (NPN)

Features

- AS-Interface certificate
- Protection degree IP67
- Addressing jack
- Flat cable connection with cable piercing technique, variable flat cable guide
- Communication monitoring, turn-off
- Power supply of outputs from the external auxiliary voltage
- Function display for bus, external auxiliary voltage and outputs

Indicating / Operating means



Technical data**General specifications**

| | |
|----------------|----------------|
| Slave type | Standard slave |
| UL File Number | E87056 |

Indicators/operating means

| | |
|-----------|--|
| LED FAULT | communication error / address is 0; LED red |
| LED PWR | AS-Interface voltage; LED green |
| LED AUX | ext. auxiliary voltage U_{AUX} ; LED green |
| LED OUT | switching state (output); 4 LED yellow |

Electrical specifications

| | | |
|----------------------------|-----------|-----------------------------------|
| Auxiliary voltage (output) | U_{AUX} | 24 V DC \pm 15 % PELV |
| Protection class | | III |
| Rated operational voltage | U_e | 26.5 ... 31.6 V from AS-Interface |
| Rated operational current | I_e | \leq 40 mA |

Output

| | |
|-------------|---|
| Number/Type | 4 electronic outputs, NPN |
| Supply | from external auxiliary voltage U_{AUX} |
| Current | 1 A per output |
| Voltage | $\geq (U_{AUX} - 0,5 \text{ V})$ |

Programming instructions

| | |
|---------|-------|
| Profile | S-8.F |
| IO code | 8 |
| ID code | F |

| Data bits (function via AS-Interface) | input | output |
|---------------------------------------|-------|--------|
| D0 | - | OUT1 |
| D1 | - | OUT2 |
| D2 | - | OUT3 |
| D3 | - | OUT4 |

Parameter bits (programmable via AS-i) function

| | |
|----|--|
| P0 | communication monitoring P0 = 1 (basic setting), monitoring = ON, i.e. if communication fails, the outputs are de-energised P0 = 0, monitoring = OFF, if communication fails, the outputs maintain their condition |
| P1 | not used |
| P2 | not used |
| P3 | not used |

Ambient conditions

| | |
|---------------------|-------------------------------|
| Ambient temperature | -25 ... 60 °C (248 ... 333 K) |
| Storage temperature | -25 ... 85 °C (248 ... 358 K) |

Mechanical specifications

| | |
|-------------------|--|
| Protection degree | IP67 according to EN 60529 |
| Connection | cable piercing method flat cable yellow/flat cable black inputs/outputs: M12 round connector |
| Mass | 100 g |
| Mounting | Mounting base |

Function

The VAA-4A-G2-EA0 is an AS-Interface coupling module with 4 electronic outputs, which can be loaded to 24 V DC and 1 A.

The IP67 flat module features an integrated addressing jack and is ideal for applications in the field.

Connection to the actuators is provided via M12 x 1 screw connections. The current switching state of each channel is indicated by an LED, located on the module's top side. Similarly, an LED is provided to monitor the AS-Interface communication and to indicate that the module has the address 0. If a communication error occurs, the outputs are de-energised.

One LED each shows the voltage of the AS-Interface and of the external power supply.

The U-G3FF mounting base is normally used for the connection of the AS-Interface flat cable and the external 24 V DC power supply. The specially designed base enables users to connect flat cables from both sides. This means, for example, that 90° curves can be laid with very tight radii (variable flat cable guide).

Note:

The mounting base for the module is sold separately.

Accessories

VBP-HH1
AS-Interface handheld

VAZ-PK-1,5M-V1-G
Connection cable module/hand-held programming device

VAZ-FK-ED-G2
AS-Interface end seal

Matching system components

U-G3FF
AS-Interface module mounting base