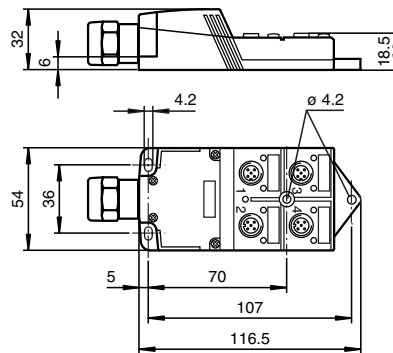




Dimensions



Model number

SACB-4/8-L-SC

Splitter box quadruple, twin configuration, with cage-clamp terminals

Features

- Fast, simple installation with cage clamp terminals
- Twin communication of the plug-in stations
- LED indicator for module supply and I/O status
- Protection degree IP67

Accessories

MH 05-SACB-4

Mounting aid

V15S-T-V15

Y-distributor

VAZ-V1-B

Blind plug

Technical data

General specifications

Number of poles 5

Indicators/operating means

LED green supply voltage each module  
LED yellow I/O status indication

Electrical specifications

Operating voltage 24 V DC, max. 30 V DC  
Operating current ≤ 5 mA per channel indication element  
Current loading capacity ≤ 2 A per channel, ≤ 4 A per plug-in station, ≤ 12 A total current per separator

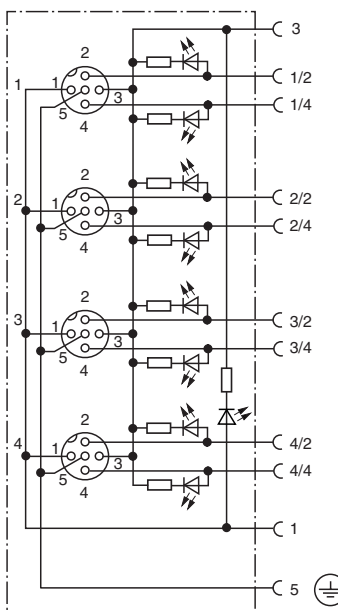
Ambient conditions

Ambient temperature -25 ... 75 °C (248 ... 348 K)

Mechanical specifications

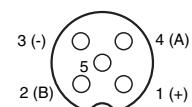
Protection degree IP67 according to EN 60529  
Connection spring-loaded terminals for wire cross section 0.2 ... 1.5 mm<sup>2</sup>  
Sockets M12 , 5 pin  
Cable  
Sheath diameter 6.5 ... 9.5 mm  
Mass approx. 120 g

Electrical connection



Terminal compartment/ Cage clamp terminals	M12-socket/pole
1/4	1/4 (A)
1/2	1/2 (B)
2/4	2/4 (A)
2/2	2/2 (B)
3/4	3/4 (A)
3/2	2/3 (B)
4/4	4/4 (A)
4/2	4/2 (B)
UN	1 ... 4/1 (+24 V)
PE	1 ... 4/5 (PE)
0 V	1 ... 4/3 (0 V)

Display



M12-socket twin configuration