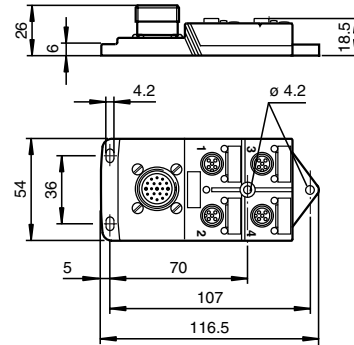




Dimensions



Model number

SACB-4/4-L-M23

Quadruple splitter boxes with M23 connector

Features

- Fast, flexible installation/separation
- LED indicator for module supply and I/O status
- Protection degree IP67

Accessories

VAZ-V1-B

Blind plug

MH 05-SACB-4

Mounting aid

Technical data

General specifications

Number of poles 4

Indicators/operating means

LED green supply voltage each module
LED yellow I/O status indication

Electrical specifications

Operating voltage 24 V DC, max. 30 V DC
Operating current ≤ 5 mA per channel indication element
Current loading capacity ≤ 2 A per channel,
 ≤ 4 A per plug-in station,
 ≤ 12 A total current per separator

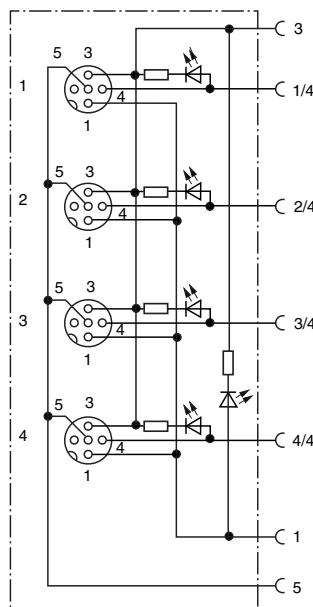
Ambient conditions

Ambient temperature -25 ... 70 °C (248 ... 343 K)

Mechanical specifications

Protection degree IP67 according to EN 60529
Connection M23 round connector
Sockets M12 , 4-pin
Mass approx. 110 g

Electrical connection



Core colour	M23-connector	M12-socket/pole
WH	1	1/4 (A)
GN	2	2/4 (A)
YE	3	3/4 (A)
GY	4	4/4 (A)
BN	11	1 ... 4/1 (+24 V)
BU	9+10	1 ... 4/3 (0 V)
GN/YE	12	1 ... 4/5 (PE)

Displays

