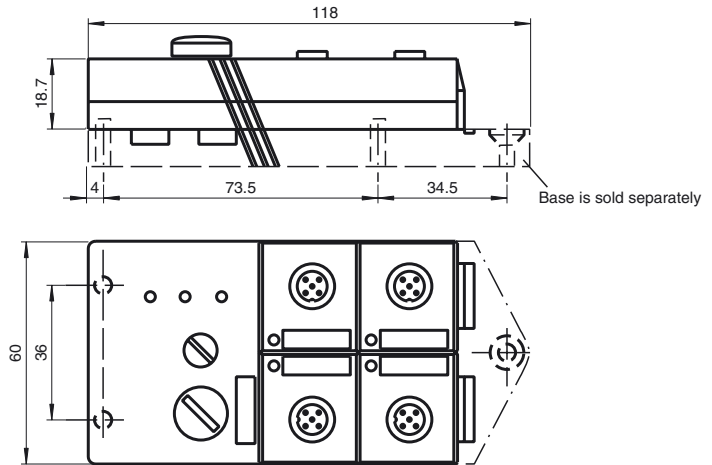
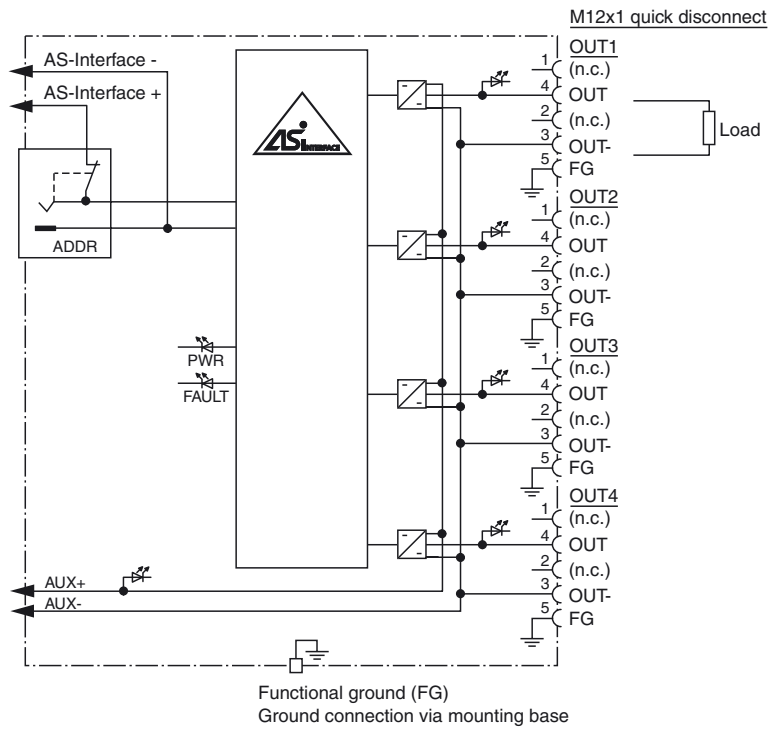




Dimensions



Electrical connection



Model Number

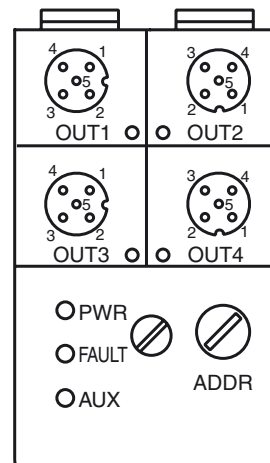
VAA-4A-G2-E2

G2 flat module
4 electronic outputs (PNP)

Features

- AS-Interface certificate
- Protection degree IP67
- Addressing jack
- Flat cable connection with cable piercing technique, variable flat cable guide
- Communication monitoring, turn-off
- Power supply of outputs from the external auxiliary voltage
- Ground connection (PE) possible
- Function display for bus, external auxiliary voltage and outputs

Indicating / Operating means



Release date: 2006-05-26 11:26 Date of issue: 2006-07-26 106992_ENG.xml

Technical data

General specifications

Slave type	Standard slave
AS-Interface specification	V2.1
Required master specification	≥ V2.0
UL File Number	E87056

Indicators/operating means

LED FAULT	communication error / address is 0; LED red
LED PWR	AS-Interface voltage; LED green
LED AUX	ext. auxiliary voltage U_{AUX} ; LED green
LED OUT	switching state (output); 4 LED yellow

Electrical specifications

Auxiliary voltage (output)	U_{AUX}	24 V DC ± 15 % PELV
Protection class		III
Rated operational voltage	U_e	26.5 ... 31.6 V from AS-Interface
Rated operational current	I_e	≤ 30 mA

Output

Number/Type	4 electronic outputs, PNP
Supply	from external auxiliary voltage U_{AUX}
Current	1.5 A per output, 4 A total
Voltage	≥ (U_{AUX} - 0,5 V)

Programming instructions

Profile	S-8.F
IO code	8
ID code	F

Data bits (function via AS-Interface)	input	output
D0	-	OUT1
D1	-	OUT2
D2	-	OUT3
D3	-	OUT4

Parameter bits (programmable via AS-i) function

P0	communication monitoring P0 = 1 (basic setting), monitoring = ON, i.e. if communication fails, the outputs are de-energised P0 = 0, monitoring = OFF, if communication fails, the outputs maintain their condition
P1	not used
P2	not used
P3	not used

Ambient conditions

Ambient temperature	-25 ... 60 °C (248 ... 333 K)
Storage temperature	-25 ... 85 °C (248 ... 358 K)

Mechanical specifications

Protection degree	IP67
Connection	cable piercing method flat cable yellow/flat cable black inputs/outputs: M12 round connector
Mass	100 g
Mounting	Mounting base

Compliance with standards and directives

Directive conformity	observe notices on the certificate of conformity.
Standard conformity	
Interference rejection	EN 61000-6-2:2001
Emitted interference	EN 61000-6-4:2001
AS-Interface	EN 50295:1999-10
Protection degree	EN 60529

Function

The VAA-4A-G2-E2 is an AS-Interface coupling module with four electronic outputs, which can be loaded to 24 V DC and 1.5 A. The IP67 flat module features an integrated addressing jack and is ideal for applications in the field.

Connection to the actuators is provided via M12 x 1 screw connections. The current switching state of each channel is indicated by an LED, located on the module's top side. Similarly, an LED is provided to monitor the AS-Interface communication and to indicate that the module has the address 0. If an AS-Interface communication error occurs, the outputs are de-energised.

The voltages of the AS-Interface and of the external power supply are also indicated by an LED each.

The U-G3FF mounting base is normally used for the connection of the AS-Interface flat cable and the external 24 V DC power supply. The specially designed base enables users to connect flat cables from both sides. This means, for example, that 90° curves can be laid with very tight radii (variable flat cable guide).

Note:

The mounting base for the module is sold separately.

Accessories

VBP-HH1
AS-Interface handheld

VAZ-PK-1,5M-V1-G
Connection cable module/hand-held programming device

VAZ-FK-ED-G2
AS-Interface end seal

Matching system components

U-G3FF
AS-Interface module mounting base