



62  
Spec 2.1

**Model Number**

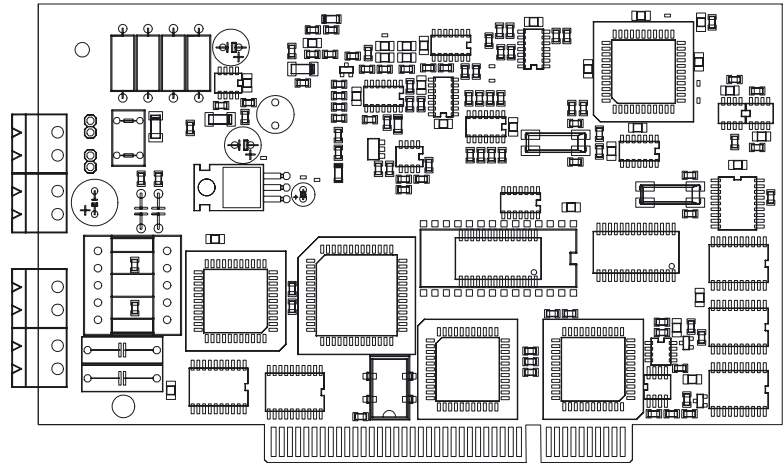
**VBM-CTR-PCI-DM**

PCI double master for 2 AS-Interface networks

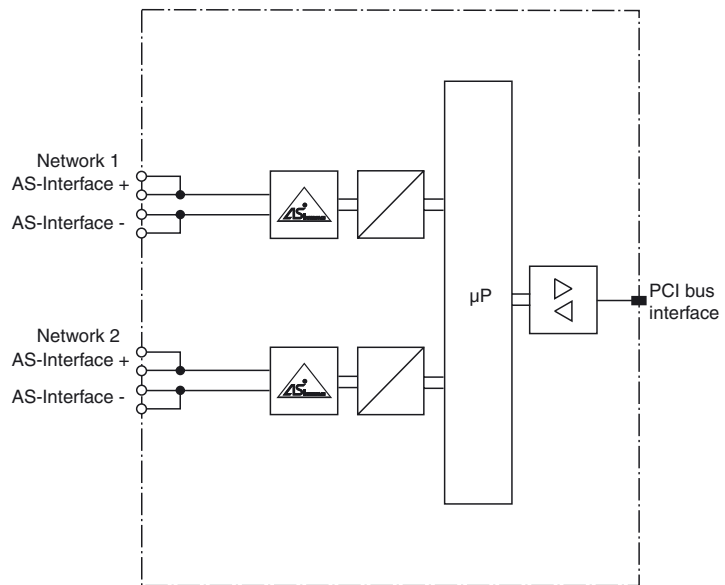
**Features**

- V2.1 master
- Stand-alone master with PLC functionality
- Connection to PCI bus
- 2 AS-Interface networks
- Simple installation
- PC-independent program processing
- Does not require any interrupts
- Up to 4 VBM-CTR-PCI-DM per PC
- Connectable watchdog

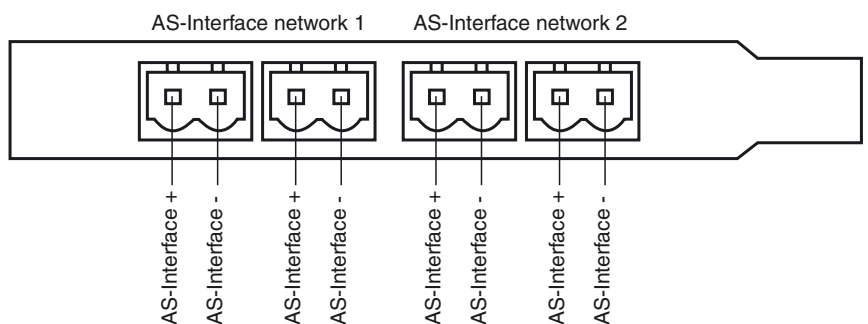
**Dimensions**



**Electrical connection**



**Indicating / Operating means**



Release date: 2007-07-30 09:48 Date of issue: 2007-07-30 105019\_ENG.xml

**Technical data****General specifications**

AS-Interface specification	V2.11
----------------------------	-------

**Electrical specifications**

Insulation voltage	$U_i$	$\geq 500$ V
Rated operational voltage	$U_e$	5 V DC and AS-Interface voltage
Rated operational current	$I_e$	$\leq 200$ mA from power supply, $\leq 70$ mA from AS-Interface

**Interface**

Interface type	32 bit PCI bus interface
----------------	--------------------------

**Ambient conditions**

Ambient temperature	0 ... 55 °C (273 ... 328 K)
Storage temperature	-25 ... 70 °C (248 ... 343 K)

**Mechanical specifications**

Protection degree	IP20
Construction type	Short PCI card

**Compliance with standards and directives**

Standard conformity	
Protection degree	EN 60529

**Function**

The VBM-CTR-PCI-DM is an AS-Interface double master with PLC functionality, especially designed for operation with a PCI bus, which is available in every modern PC. The plug-and-play properties of the hardware and driver permit up to 4 masters to be operated at the same time, and thus render manual configurations redundant. The efficient event control of the card allows data to be exchanged rapidly. Thus the performance of the system is considerably enhanced. An Interrupt is not necessary; it does however support the event control on system level and thus enhances the performance of the system once again.

Communication between AS-Interface master and PC is monitored by means of a switchable watchdog. In case the PC has a system crash, the AS-Interface master is set "off-line" and thus all outputs are set inactive. Extended diagnostic functions allow sporadic configuration errors to be located, and AS-Interface communication to be assessed with regard to quality.

Drivers are available for Windows 95/98/2000/NT.

**PLC Functionality**

The VBM-CTR-PCI-DM provides 4 kBytes of program memory, 8 kBytes of main memory, 1024 counters and 1024 timers for PLC functionality. These capacities suffice to process data on the AS-Interface. Thus the master can also be operated in "stand-alone" mode. The program processing time is 2 ms per 1000 word commands. The programming language is based on the STEP5® programming language.

**Software**

The AS-i Control Tools software is supplied as restricted version together with the documentation. The software performs addressing, programming and monitoring of the AS-Interface network. In addition, it contains an editor that creates programs for the integrated PLC functionality. The full version of the AS-i Control Tool is available as an accessory and features an expanded diagnostics monitor as well as a larger program memory for AS-Interface Control which makes it possible to detect faulty telegrams of slaves.

**Accessories****VAZ-SW-ACT32**

AS-Interface software