



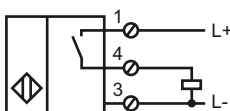
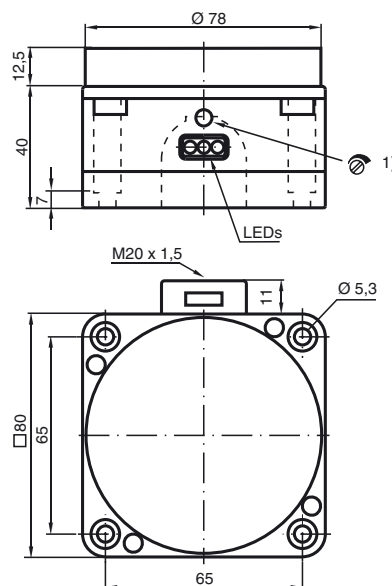
CE

**Model Number**

NJ60-FP-E2-P1-Y103982

**Features**

- Special version
- Stability comparison for detection of rinse-tulip

**Connection****Dimensions****Technical Data****General specifications**

Switching element function	PNP	Make function
Rated operating distance	$s_n$	60 mm
Installation		not embeddable 40 mm minimum distance to non-magnetic stainless steel (on the side and rear)
Output polarity		DC
Assured operating distance	$s_a$	0 ... 55 mm Reference target: rinse-tulip l = 110 mm; $\varnothing$ = 42 mm material 1.4542
Reduction factor $r_{Al}$		0.4
Reduction factor $r_{Cu}$		0.3
Reduction factor $r_{V2A}$		0.85

**Nominal ratings**

Operating voltage	$U_B$	10 ... 30 V
Switching frequency	f	0 ... 100 Hz
Hysteresis	H	typ. 5 %
Reverse polarity protection		protected against reverse polarity
Short-circuit protection		pulsing
Voltage drop	$U_d$	$\leq 3$ V
Operating current	$I_L$	0 ... 200 mA
Off-state current	$I_r$	0 ... 0.5 mA typ.
No-load supply current	$I_0$	$\leq 20$ mA
Operating voltage display		LED, green
Indication of the switching state		LED, yellow

**Standard conformity**

Standards	IEC / EN 60947-5-2:2004
-----------	-------------------------

**Ambient conditions**

Ambient temperature	10 ... 60 °C (283 ... 333 K)
---------------------	------------------------------

**Mechanical specifications**

Connection type	terminal compartment
Core cross-section	up to 2.5 mm <sup>2</sup>
Housing material	PBT
Sensing face	PBT
Protection degree	IP65
Note	<sup>1)</sup> potentiometer not functional since stability comparison