



Model number

VAN-24DC-K6

AS-Interface power supply

Features

- Output current 3 A
- PELV
- Input voltage 24 V DC
- LED operating display
- 88 % efficiency level

Function

The VAN-24DC-K6 DC/DC transducer was designed for field bus applications, which transmit both energy and data via a two-wire cable (AS-Interface design). It powers a fully loaded AS-Interface system with a maximum output current of 30.55 V and 3 A.

In this case, the DC/DC transducer provides the energy, decouples data of the power source and balances the two output cables (AS-Interface + and AS-Interface -) in relation to ground (screen connection).

The precise and transformer coupling permits the use of unshielded load lines.

The PELV output circuit is electronically protected against overload and continuous short circuit.

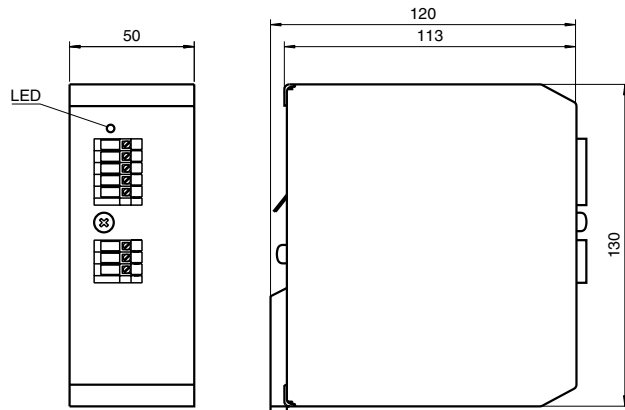
Fuse:

The DC/DC transducer is electronically protected against continuous short circuit. In case of a defect, the internal fuse disconnects the DC/DC transducer from the power supply.

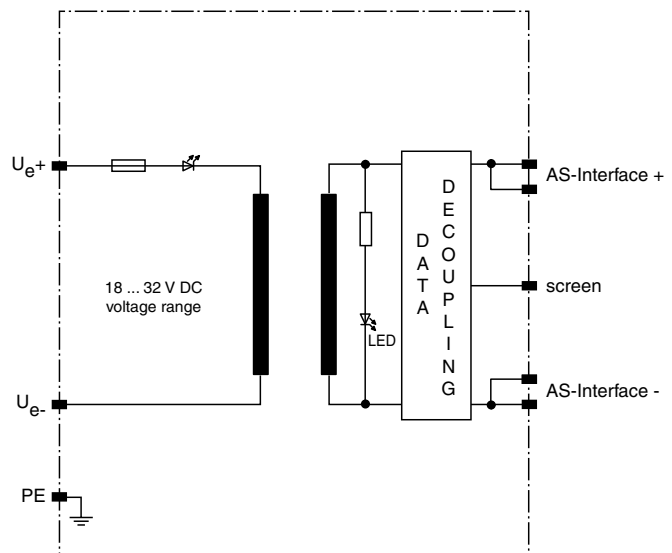
Note:

Do not remove any screws from the housing without consulting us, since internal protective earthing connections might disconnect!

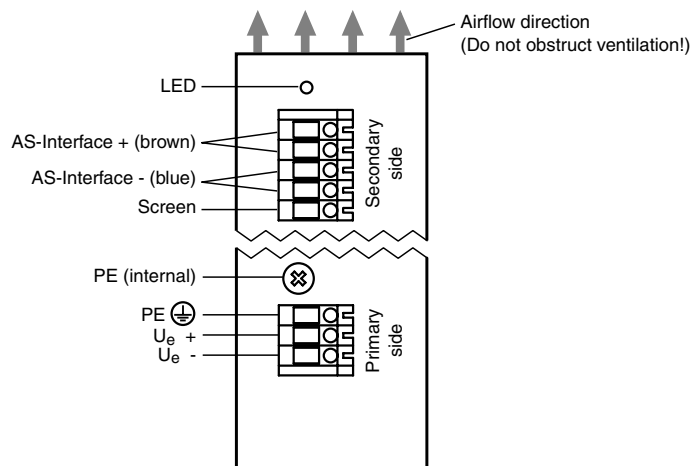
Dimensions



Electrical connection



Indicating / Operating means



Release date: 2011-11-10 12:00 Date of issue: 2011-11-10 103706_eng.xml

Technical data**General specifications**

UL File Number	E223176
----------------	---------

Functional safety related parameters

MTTF _d	200 a
Mission Time (T _M)	10 a
Diagnostic Coverage (DC)	0 %

Indicators/operating means

LED U AS-i	AS-Interface voltage; LED green
------------	---------------------------------

Electrical specifications

Rated operational voltage	U _e	24 V DC
		18 ... 32 V DC (with full data content)
		16 ... 40 V DC (short-time, under 18 V no start-up)
Rated operational current	I _e	6 A at 24 V DC

Output

Short-circuit protection/overload	max. 5 A
Current limit	3.15 ... 3.6 A
Current	3 A
Voltage	29.5 ... 31.6 V DC

Ambient conditions

Ambient temperature	-10 ... 70 °C (14 ... 158 °F)
Storage temperature	-20 ... 80 °C (-4 ... 176 °F)

Mechanical specifications

Protection degree	IP20 according to EN 60529
Connection	min. 0.5 mm ² , max. 4 mm ² (rigid wire) min. 0.5 mm ² , max. 2.5 mm ² (strand) wire min. 9 mm, max. 15 mm separation
Mass	approx. 550 g

Compliance with standards and directives

Directive conformity	
EMC Directive 2004/108/EC	EN 55011:2009, EN 61000-6-2:2001, EN 61000-6-3:2001 EN 55022:2006

Standard conformity

Noise immunity	EN 61000-6-2:2001
Emitted interference	EN 55022:2006, EN 55011:2009 Class B EN 61000-6-3:2001

Accessories**AS-Interface Power Calculator**

AS-Interface Power supply and network checking utility