



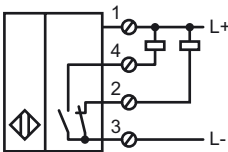
**Model Number**

NCN40+U1+A0

**Features**

- Comfort series
- 40 mm not embeddable

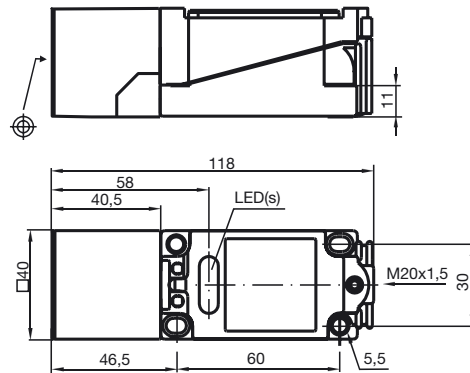
**Connection**



**Accessories**

MHW 01  
Modular mounting bracket

**Dimensions**



**Technical Data**

**General specifications**

Switching element function		NPN	NO/NC
Rated operating distance	$s_n$	40 mm	
Installation		not embeddable	
Output polarity		DC	
Assured operating distance	$s_a$	0 ... 32.4 mm	
Reduction factor $r_{Al}$		0.5	
Reduction factor $r_{Cu}$		0.45	
Reduction factor $r_{303}$		0.8	

**Nominal ratings**

Operating voltage	$U_B$	10 ... 60 V
Switching frequency	$f$	0 ... 30 Hz
Hysteresis	$H$	typ. 3 %
Reverse polarity protected		reverse polarity protected
Short-circuit protection		pulsing
Voltage drop	$U_d$	$\leq 3$ V
Operating current	$I_L$	0 ... 200 mA
No-load supply current	$I_0$	$\leq 10$ mA
Operating voltage display		LED, green
Indication of the switching state		LED, yellow

**Ambient conditions**

Ambient temperature	-25 ... 70 °C (-13 ... 158 °F)
---------------------	--------------------------------

**Mechanical specifications**

Connection type	screw terminals
Core cross-section	up to 2.5 mm <sup>2</sup>
Housing material	PBT
Sensing face	PBT
Protection degree	IP68

**Compliance with standards and directives**

Standard conformity	
Standards	EN 60947-5-2:2007 IEC 60947-5-2:2007

**Approvals and certificates**

UL approval	cULus Listed, General Purpose
CSA approval	cCSAus Listed, General Purpose
CCC approval	Certified by China Compulsory Certification (CCC)

Release date: 2011-07-20 11:50 Date of issue: 2011-07-20 102179\_eng.xml