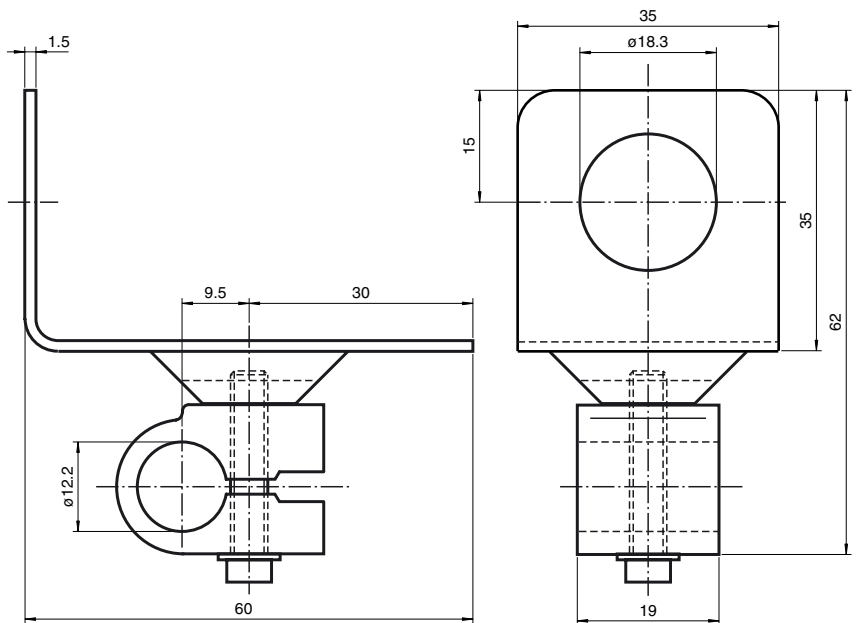




## Dimensions



## Model number

## OMH-04

Mounting aid for round steel  $\varnothing 12$  mm or sheet 1.5 mm ... 3 mm

## Features

- Bracket for round steel or sheet

## Technical data

## Mechanical specifications

Material	Metal sheet (steel), nickel-plated aluminium
Mass	approx. 60 g

## Suitable series

Series	VL18 18GM60 CP18
--------	------------------------