



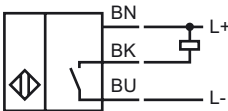
### Model Number

NBN4-F45-E0-Y98303

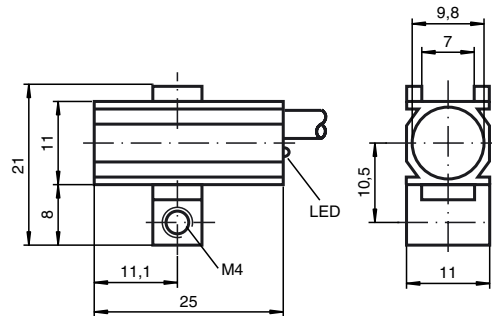
### Features

- Basic series
- 4 mm not embeddable

### Connection



## Dimensions



## Technical Data

### General specifications

Switching element function		NPN Make function
Rated operating distance	$s_n$	4 mm
Installation		not embeddable
Output polarity		DC
Assured operating distance	$s_a$	0 ... 3.24 mm
Reduction factor $r_{AI}$		0.4
Reduction factor $r_{Cu}$		0.3
Reduction factor $r_{V2A}$		0.7

### Nominal ratings

Operating voltage	$U_B$	10 ... 30 V
Switching frequency	$f$	0 ... 1000 Hz
Reverse polarity protection		protected against reverse polarity
Short-circuit protection		pulsing
Voltage drop	$U_d$	$\leq 3$ V
Operating current	$I_L$	0 ... 100 mA
Off-state current	$I_r$	0 ... 0.5 mA typ. 0.1 $\mu$ A at 25 °C
No-load supply current	$I_0$	$\leq 10$ mA
Indication of the switching state		LED, yellow

### Standard conformity

Standards	IEC / EN 60947-5-2:2004
-----------	-------------------------

### Ambient conditions

Ambient temperature	-25 ... 70 °C (248 ... 343 K)
---------------------	-------------------------------

### Mechanical specifications

Connection type	165 mm, PVC - flexible lead
Core cross-section	0.14 mm <sup>2</sup>
Housing material	POM
Sensing face	POM
Protection degree	IP67