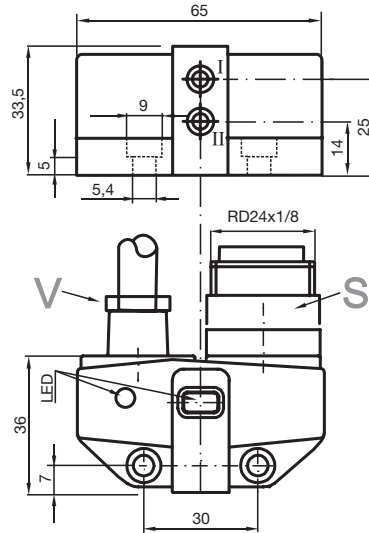
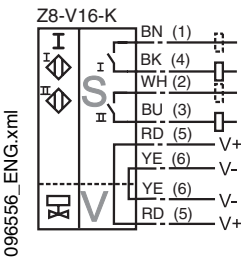


Direct mounting on standard actuators
 Compact and stable housing
 Fixed setting
 Satisfies machinery directive



| | |
|-----------------------------------|--|
| Switching element function | Binary NO |
| Rated operating distance s_n | 3 mm |
| Installation | embeddable |
| Assured operating distance s_a | 0 ... 2,43 mm |
| Reduction factor r_{AI} | 0,5 |
| Reduction factor r_{Cu} | 0,4 |
| Reduction factor r_{V2A} | 1 |
| Reduction factor r_{St37} | 1,1 |
| Operating voltage U_B | 6 ... 60 V |
| Switching frequency f | 0 ... 500 Hz |
| Hysteresis H | typ. 5 % |
| Reverse polarity protection | tolerant |
| Short circuit protection | no |
| Voltage drop U_d | ≤ 6 V |
| Operating current I_L | 4 ... 100 mA |
| Off-state current I_r | 0 ... 1 mA typ. 0,7 mA |
| Indication of the switching state | LED, yellow |
| Valve status indication | LED, yellow |
| Tightening torque, fixing screws | 0,4 Nm |
| EMC in accordance with | EN 60947-5-2 |
| Standards | EN 60947-5-2 |
| Ambient temperature | -25 ... 70 °C (248 ... 343 K) |
| Connection (system side) | V16-connector |
| Connection (valve side) | 0,5 m, PVC-cable Type: C164-62N012-007-12C Cable connector: Amphenol C12207N21 |
| Housing material | PBT |
| Sensing face | PBT |
| Protection degree | IP67 |

Connection_type:



096556_ENG.xml

2003-04-01

www.pepperl-fuchs.com

PEPPERL+FUCHS GmbH