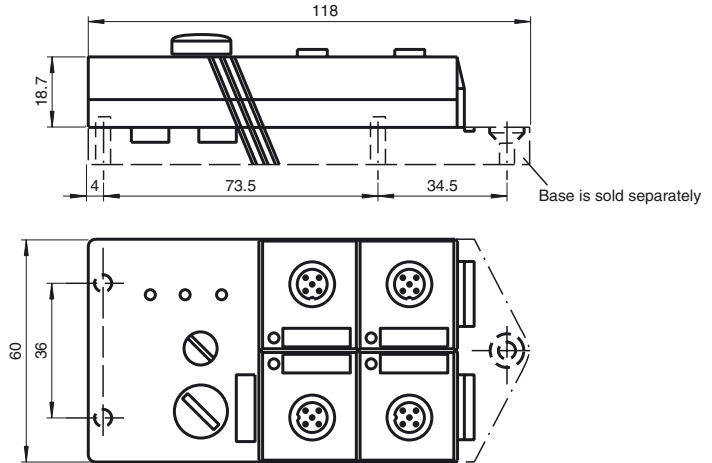
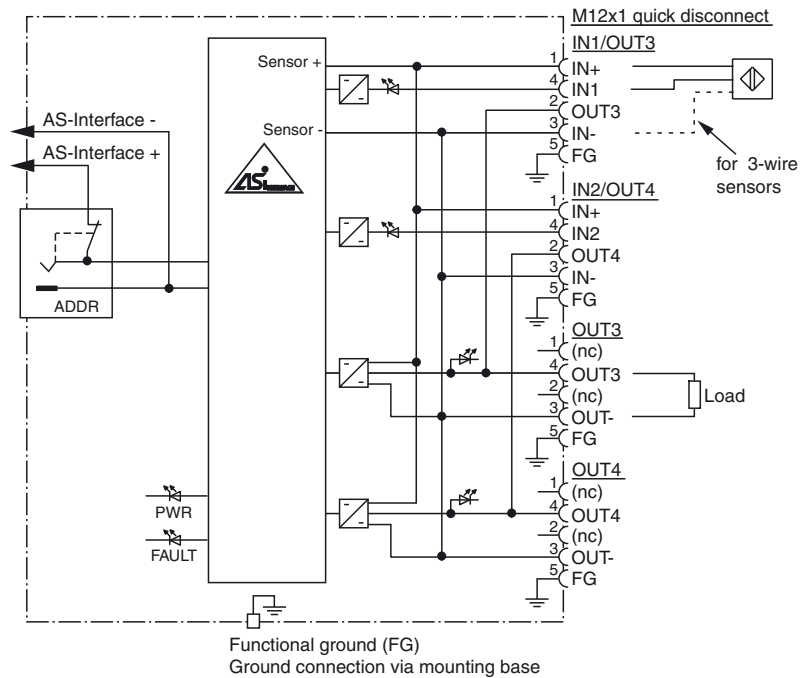




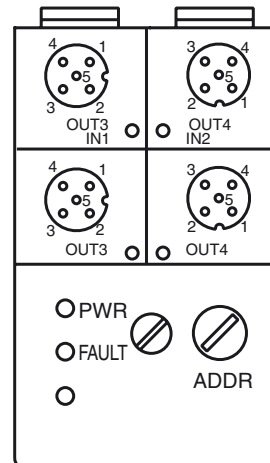
Dimensions



Electrical connection



Indicating / Operating means



Model Number

VAA-2*EA-G2-ZE/E2

G2 flat module for motor starter
2 inputs/2 electronic outputs

Features

- AS-Interface certificate
- Protection degree IP67
- Addressing jack
- Flat cable connection with cable piercing technique, variable flat cable guide
- Communication monitoring, turn-off
- Two MOVISWITCH, controllable by SEW
- Inputs for 2- and 3-wire sensors
- Power supply of inputs and outputs from the module
- Ground connection (PE) possible
- Function display for bus, inputs and outputs
- Monitoring of sensor overloads

Technical data

General specifications

Slave type	Standard slave
AS-Interface specification	V2.1
Required master specification	≥ V2.0
UL File Number	E87056

Indicators/operating means

LED FAULT	error display; LED red red: communication error or address is 0 red flashing: overload of sensor supply
LED PWR	AS-Interface voltage; LED green
LED IN	switching state (input); 2 LED yellow
LED OUT	switching state (output); 2 LED yellow

Electrical specifications

Protection class	III
Rated operational voltage	U_e 26.5 ... 31.6 V from AS-Interface
Rated operational current	I_e ≤ 30 mA (without sensors) / max. 180 mA

Input

Number/Type	2 inputs for 2- or 3-wire sensors (PNP), DC
Supply	from AS-Interface
Voltage	21 ... 31 V
Current loading capacity	≤ 150 mA ($T_B \leq 40 \text{ °C}$), ≤ 120 mA ($T_B \leq 60 \text{ °C}$), short-circuit proof
Input current	≤ 8 mA (limited internally)
Switching point	
0 (unattenuated)	≤ 1.5 mA
1 (attenuated)	≥ 4.5 mA

Output

Number/Type	2 electronic outputs, PNP
Supply	from AS-Interface
Current	limited by the current loading capacity of the module

Programming instructions

Profile	S-3.F
IO code	3
ID code	F

Data bits (function via AS-Interface)	input	output
D0	IN1	-
D1	IN2	-
D2	-	OUT3
D3	-	OUT4

Parameter bits (programmable via AS-i) function

P0	communication monitoring P0 = 1 (basic setting), monitoring = ON, i.e. if communication fails, the outputs are de-energised P0 = 0, monitoring = OFF, if communication fails, the outputs maintain their condition
P1	not used
P2	not used
P3	not used

Ambient conditions

Ambient temperature	-25 ... 60 °C (248 ... 333 K)
Storage temperature	-25 ... 85 °C (248 ... 358 K)

Mechanical specifications

Protection degree	IP67
Connection	cable piercing method flat cable yellow/flat cable black inputs/outputs: M12 round connector
Mass	100 g
Mounting	Mounting base

Compliance with standards and directives

Directive conformity	
EMC Directive 89/336/EEC	EN 61000-6-2:2001, EN 61000-6-4:2001, EN 50295:1999
Standard conformity	
Interference rejection	EN 61000-6-2:2001
Emitted interference	EN 61000-6-4:2001
AS-Interface	EN 50295:1999-10
Input	EN 61131-2
Protection degree	EN 60529

Function

The VAA-2*EA-G2-ZE/E2 is an AS-Interface coupling module with 2 inputs and 2 outputs. The inputs and outputs are available via a M12 x 1 socket. Mechanical contacts and 2- and 3-wire sensors can be connected to the inputs. The outputs are powered via the internal sensor supply.

The module is used to drive motors with decentralised motor controllers (MOVIS-WITCH from SEW corporation). Each drive requires a 24 V input and a 24 V output. Connection to the sensors/actuators is provided via M12 x 1 screw connections.

The IP67 flat module features an integrated addressing jack and is ideal for applications in the field. The current switching state of each channel is indicated by an LED located on the module's top side. The supply of the inputs and outputs is monitored for short circuits. Similarly, an LED is provided to monitor the AS-Interface communication and to indicate that the module has the address 0. If an AS-Interface communication error occurs, the outputs are de-energised.

The U-G3FF mounting base is used as a standard connection to the AS-Interface flat cable. The specially designed base enables users to connect flat cables from both sides. This means, for example, that 90° curves can be laid with very tight radii (variable flat cable guide).

Note:

The mounting base for the module is sold separately.

Accessories

VBP-HH1
AS-Interface handheld

VAZ-PK-1,5M-V1-G
Connection cable module/hand-held programming device

VAZ-FK-ED-G2
AS-Interface end seal

Matching system components

U-G3FF
AS-Interface module mounting base