

Model Number

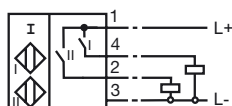
PL2-F25-E8-K

Features

- For installation in housing
- Pluggable cage clamp terminals
- PL2... without valve connection
- Satisfies machinery directive

Connection

E8



Accessories

BT32

Activator for F25 series

BT32XS

Activator for F25 series

BT32XAS

Activator for F25 series

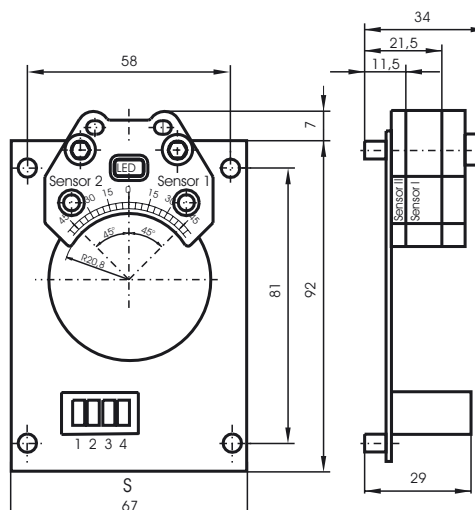
BT33

Activator for F25 series

BT34

Activator for F25 series

Dimensions



Technical Data

General specifications

Switching element function		PNP	Dual NO
Rated operating distance	s_n	3 mm	
Installation		embeddable mountable	
Output polarity		DC	
Assured operating distance	s_a	0 ... 2.43 mm	
Reduction factor r_{AI}		0.5	
Reduction factor r_{304}		1	
Reduction factor r_{SI37}		1.1	

Nominal ratings

Operating voltage	U_B	10 ... 30 V DC
Switching frequency	f	0 ... 100 Hz
Hysteresis	H	typ. 5 %
Reverse polarity protected		reverse polarity protected
Short-circuit protection		pulsing
Voltage drop	U_d	≤ 3 V
Operating current	I_L	0 ... 200 mA
Off-state current	I_r	0 ... 0.5 mA typ. 0.1 μ A at 25 °C
No-load supply current	I_0	≤ 25 mA
Operating voltage display		LED, green
Indication of the switching state		LED, yellow

Ambient conditions

Ambient temperature	-25 ... 70 °C (-13 ... 158 °F)
Storage temperature	-40 ... 85 °C (-40 ... 185 °F)

Mechanical specifications

Connection (system side)	Cage tension spring terminals
Core cross-section (system side)	up to 2.5 mm ²
Housing material	PBT
Sensing face	PBT
Protection degree	IP20

Compliance with standards and directives

Standard conformity	
Standards	EN 60947-5-2:2007 IEC 60947-5-2:2007