

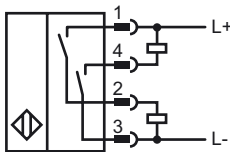
Model Number

RJ100-E20-V1

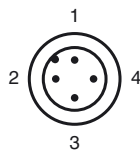
Features

- Ring diameter 100 mm
- 3-wire DC

Connection



Pinout



Wire colors in accordance with EN 60947-5-2

- | | | |
|---|----|---------|
| 1 | BN | (brown) |
| 2 | WH | (white) |
| 3 | BU | (blue) |
| 4 | BK | (black) |

Accessories

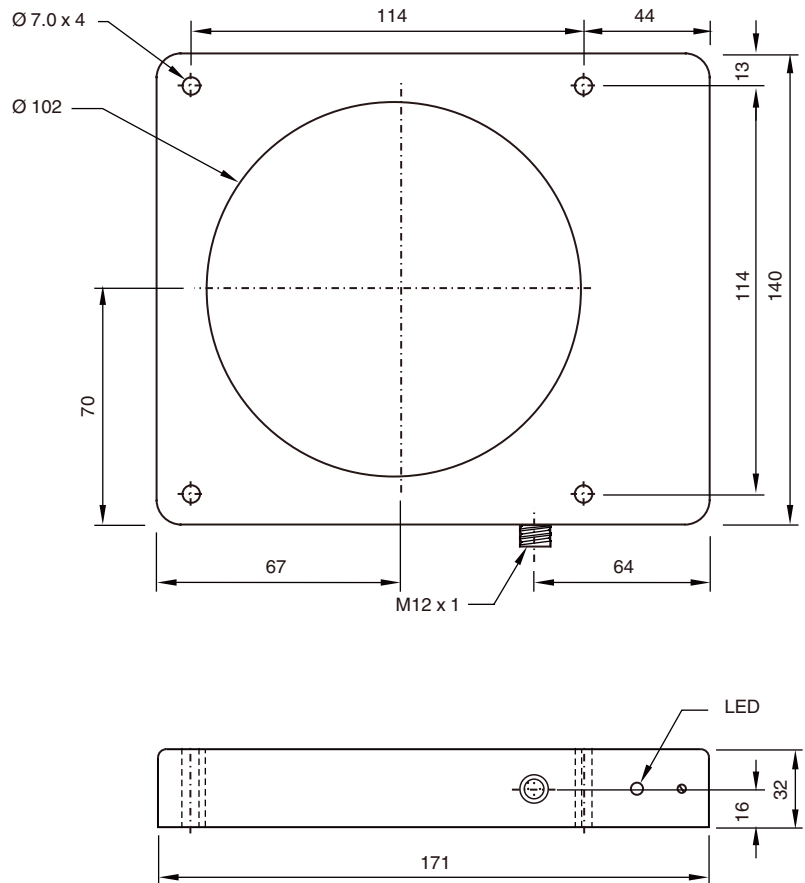
V1-G-2M-PVC

Cable socket, M12, 4-pin, PVC cable

V1-G-5M-PVC

Cable socket, M12, 4-pin, PVC cable

Dimensions



Technical Data

General specifications

Switching element function	NPN & PNP, NO
Installation	not embeddable
Output polarity	DC
Measuring cylinder	
Diameter	15 mm
Length	15 mm
Ring diameter	102 mm

Nominal ratings

Operating voltage	U_B	10 ... 30 V DC
Switching frequency	f	0 ... 20 Hz
Reverse polarity protected		reverse polarity protected
Short-circuit protection		no
Voltage drop	U_d	< 1 V
Operating current	I_L	12 mA
Off-state current	I_r	2 μ A
Indication of the switching state		LED, red

Indicators/operating means

Potentiometer	sensitivity adjustment, 15 turns
---------------	----------------------------------

Output

Load current	100 mA (NPN) 50 mA (PNP)
--------------	---------------------------------

Ambient conditions

Ambient temperature	-20 ... 55 °C (-4 ... 131 °F)
---------------------	-------------------------------

Mechanical specifications

Connection type	4-pin micro connector (M12 x 1)
Housing material	ABS
Protection degree	IP65

Release date: 2011-09-16 22:19 Date of issue: 2011-09-16 094799_eng.xml