



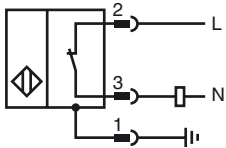
Model Number

NJ30+U4+W-V12-N.C.

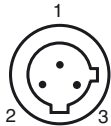
Features

- 30 mm not embeddable

Connection



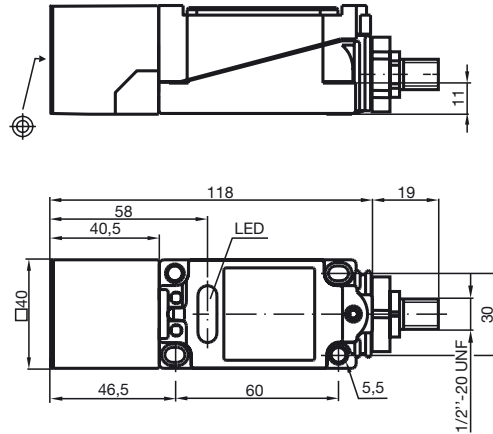
Pinout



Wire colors

- 1 | GN
- 2 | RD/BK
- 3 | RD/WH

Dimensions



Technical Data

General specifications

Switching element function	AC	NC
Rated operating distance	s_n	30 mm
Installation	not embeddable	
Output polarity	AC	
Assured operating distance	s_a	0 ... 24.3 mm
Reduction factor r_{AI}	0.45	
Reduction factor r_{Cu}	0.4	
Reduction factor r_{V2A}	0.8	

Nominal ratings

Operating voltage	U_B	20 ... 253 V ¹⁾
Switching frequency	f	0 ... 20 Hz
Hysteresis	H	1 ... 10 typ. 5 %
Voltage drop	U_d	≤ 12 V
Momentary current (20 ms, 0.1 Hz)	0 ... 3000 mA	
Operating current	I_L	8 ... 500 mA
Off-state current	I_r	0.5 ... 1.95 mA typ. 1.2 mA
Operating voltage display	LED, green	
Indication of the switching state	LED, yellow	

Ambient conditions

Ambient temperature	-25 ... 70 °C (-13 ... 158 °F)
Storage temperature	-25 ... 85 °C (-13 ... 185 °F)

Mechanical specifications

Connection type	Device connector 1/2"-20 UN , 3-pin
Housing material	PBT/metal
Sensing face	PBT
Protection degree	IP68
Note	¹⁾ In the temperature range below 0 °C, permissible operating voltage U_b 80...253 V

Compliance with standards and directives

Standard conformity	
Standards	EN 60947-5-2:2007 IEC 60947-5-2:2007

Approvals and certificates

UL approval	cULus Listed, General Purpose
CSA approval	cCSAus Listed, General Purpose
CCC approval	Certified by China Compulsory Certification (CCC)

Release date: 2011-02-11 14:07 Date of issue: 2011-02-11 09:4562_ENG.xml