



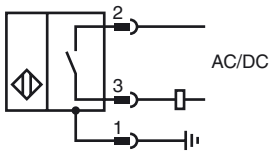
**Model Number**

NCN20+U4+U-BHMS3

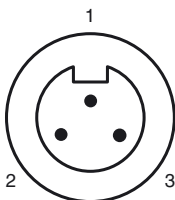
**Features**

- Limit switch style housing
- Sensing range 20 mm
- 2-wire AC/DC
- Thread 7/8"

**Connection**



**Pinout**



**Wire colors**

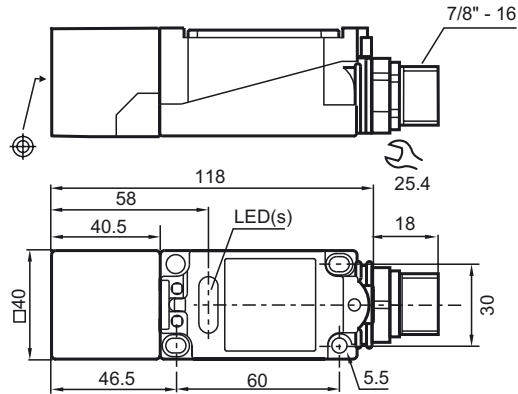
1	GN	(green)
2	BK	(black)
3	WH	(white)

**Accessories**

V93-G-YE2M-STOOW

Female connector, 7/8" - 16 UNF, 3-pin, PVC cable

**Dimensions**



**Technical Data**

**General specifications**

Switching element function		AC/DC	NO
Rated operating distance	$s_n$	20 mm	
Installation		not embeddable	
Output polarity		AC/DC	
Assured operating distance	$s_a$	0 ... 16.2 mm	
Reduction factor $r_{Al}$		0.37	
Reduction factor $r_{Cu}$		0.35	
Reduction factor $r_{303}$		0.79	

**Nominal ratings**

Operating voltage	$U_B$	20 ... 253 V
Operating voltage DC		20 ... 300 V
Switching frequency	$f$	0 ... 25 Hz
Hysteresis	$H$	typ. 3 %
Short-circuit protection		yes
Voltage drop	$U_d$	$\leq 4$ V
Momentary current (20 ms, 0.1 Hz)		0 ... 3000 mA
Operating current	$I_L$	5 ... 500 mA
Off-state current	$I_r$	0 ... 2.5 mA typ. 1.5 mA
Operating voltage display		LED, green
Indication of the switching state		LED, yellow

**Ambient conditions**

Ambient temperature	-25 ... 70 °C (-13 ... 158 °F)
---------------------	--------------------------------

**Mechanical specifications**

Core cross-section	up to 2.5 mm <sup>2</sup>
Housing material	PBT/metal
Sensing face	PBT
Protection degree	IP68

**Compliance with standards and directives**

Standard conformity	
Standards	EN 60947-5-2:2007 IEC 60947-5-2:2007

**Approvals and certificates**

UL approval	cULus Listed, General Purpose
CSA approval	cCSAus Listed, General Purpose
CCC approval	Certified by China Compulsory Certification (CCC)

Release date: 2011-08-30 11:24 Date of issue: 2011-08-30 094271\_eng.xml