



CE

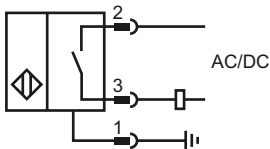
Model Number

NCB15+U4+U-V12-N.O.

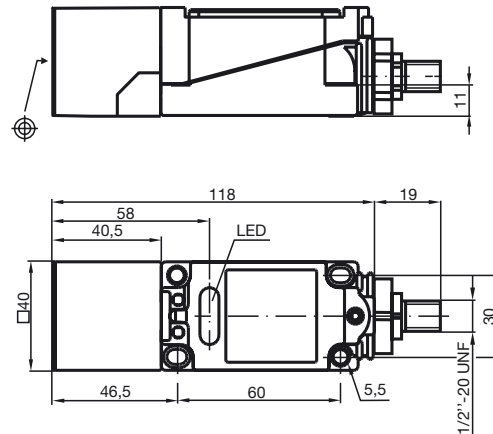
Features

- 15 mm embeddable

Connection



Dimensions



Technical Data

General specifications

Switching element function		AC/DC	NO
Rated operating distance	s_n	15 mm	
Installation		embeddable	
Output polarity		AC/DC	
Assured operating distance	s_a	0 ... 12.15 mm	
Reduction factor r_{AI}		0.28	
Reduction factor r_{Cu}		0.25	
Reduction factor r_{V2A}		0.75	

Nominal ratings

Operating voltage	U_B	20 ... 253 V	
Operating voltage DC		20 ... 300 V	
Switching frequency	f	0 ... 25 Hz	
Hysteresis	H	typ. 3 %	
Short-circuit protection		pulsing	
Voltage drop	U_d	≤ 4 V	
Momentary current (20 ms, 0.1 Hz)		0 ... 3000 mA	
Operating current	I_L	5 ... 500 mA	
Off-state current	I_r	0 ... 2.5 mA typ. 1.5 mA	
Operating voltage display		LED, green	
Indication of the switching state		LED, yellow	

Ambient conditions

Ambient temperature		-25 ... 70 °C (-13 ... 158 °F)
---------------------	--	--------------------------------

Mechanical specifications

Connection type	Device connector 1/2"-20 UN , 3-pin
Housing material	PBT/metal
Sensing face	PBT
Protection degree	IP68

Compliance with standards and directives

Standard conformity	
Standards	EN 60947-5-2:2007 IEC 60947-5-2:2007