



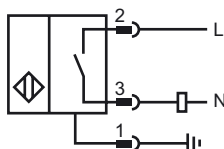
Model Number

CJ15+U4+W-V12-N.O.

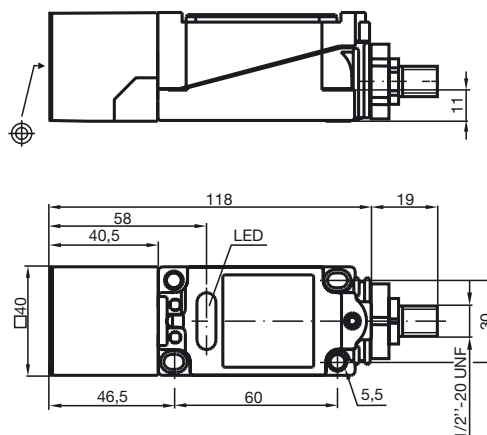
Features

- 15 mm embeddable
- Surface mount
- 2-wire AC

Connection



Dimensions



Technical Data

General specifications

Switching element function	AC	NO/NC
Rated operating distance	s_n	1 ... 30 mm
Installation	embeddable	
Output polarity	AC	
Assured operating distance	s_a	0 ... 10.8 mm

Nominal ratings

Operating voltage	U_B	20 ... 250 V AC
Switching frequency	f	0 ... 10 Hz
Voltage drop	U_d	≤ 7 V
Operating current	I_L	10 ... 500 mA
Off-state current	I_r	0 ... 2.5 mA typ.
Indication of the switching state	LED, red	

Ambient conditions

Ambient temperature	-25 ... 70 °C (-13 ... 158 °F)
---------------------	--------------------------------

Mechanical specifications

Connection type	Device connector 1/2"-20 UN , 3-pin
Housing material	PBT/metal
Sensing face	PBT
Protection degree	IP65
Note	¹⁾ In the temperature range below 0 °C, permissible operating voltage U_b 80...253 V

Compliance with standards and directives

Standard conformity	
Standards	EN 60947-5-2:2007 IEC 60947-5-2:2007

Approvals and certificates

UL approval	cULus Listed, General Purpose
CSA approval	cCSAus Listed, General Purpose

Release date: 2010-06-14 16:03 Date of issue: 2010-06-14 093841_ENG.xml