



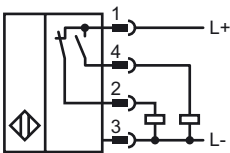
**Model Number**

NJ15+U4+A2-T-V1

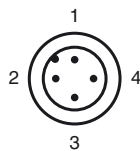
**Features**

- 15 mm embeddable
- Temperature range -25 ... 100 °C (-13 ... 212 °F)
- 15 mm embeddable

**Connection**



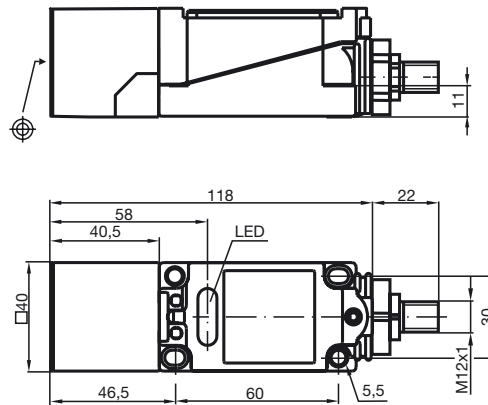
**Pinout**



Wire colors in accordance with EN 60947-5-2

- |   |    |
|---|----|
| 1 | BN |
| 2 | WH |
| 3 | BU |
| 4 | BK |

**Dimensions**



**Technical Data**

**General specifications**

Switching element function	PNP	NO/NC
Rated operating distance	$s_n$	15 mm
Installation		embeddable
Output polarity		DC
Assured operating distance	$s_a$	0 ... 12.15 mm
Reduction factor $r_{Al}$		0.4
Reduction factor $r_{Cu}$		0.3
Reduction factor $r_{V2A}$		0.85

**Nominal ratings**

Operating voltage	$U_B$	10 ... 60 V
Switching frequency	$f$	0 ... 300 Hz
Hysteresis	$H$	typ. 3 %
Reverse polarity protected		reverse polarity protected
Short-circuit protection		pulsing
Voltage drop	$U_d$	$\leq 3$ V
Operating current	$I_L$	0 ... 200 mA
No-load supply current	$I_0$	$\leq 20$ mA
Operating voltage display		LED, green
Indication of the switching state		LED, yellow

**Ambient conditions**

Ambient temperature		-25 ... 100 °C (-13 ... 212 °F)
---------------------	--	---------------------------------

**Mechanical specifications**

Connection type		Device connector M12 x 1 , 4-pin
Housing material		PBT/metal
Sensing face		PBT
Protection degree		IP68

**Compliance with standards and directives**

Standard conformity		
Standards		EN 60947-5-2:2007 IEC 60947-5-2:2007

**Approvals and certificates**

UL approval		cULus Listed, General Purpose
CSA approval		cCSAus Listed, General Purpose
CCC approval		Certified by China Compulsory Certification (CCC)

Release date: 2010-08-20 15:31 Date of issue: 2010-08-20 093833\_ENG.xml