



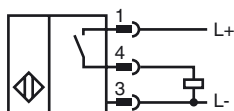
**Model Number**

NJ40+U4+E2-V1

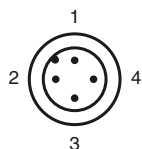
**Features**

- 40 mm not embeddable
- 3-wire DC
- M12 male connector

**Connection**



**Pinout**



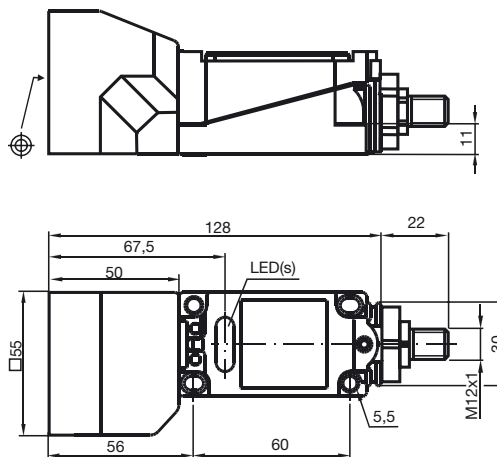
Wire colors in accordance with EN 60947-5-2

- |   |    |
|---|----|
| 1 | BN |
| 2 | WH |
| 3 | BU |
| 4 | BK |

**Accessories**

- V1-W-2M-PVC**  
Cable socket, M12, 4-pin, PVC cable
- V1-G-2M-PVC**  
Cable socket, M12, 4-pin, PVC cable

**Dimensions**



**Technical Data**

**General specifications**

|                            |                |               |
|----------------------------|----------------|---------------|
| Switching element function | PNP            | NO            |
| Rated operating distance   | $s_n$          | 40 mm         |
| Installation               | not embeddable |               |
| Output polarity            | DC             |               |
| Assured operating distance | $s_a$          | 0 ... 32.4 mm |
| Reduction factor $r_{AI}$  | 0.5            |               |
| Reduction factor $r_{Cu}$  | 0.45           |               |
| Reduction factor $r_{V2A}$ | 0.8            |               |

**Nominal ratings**

|                                   |                            |                           |
|-----------------------------------|----------------------------|---------------------------|
| Operating voltage                 | $U_B$                      | 10 ... 60 V DC            |
| Switching frequency               | $f$                        | 0 ... 100 Hz              |
| Hysteresis                        | $H$                        | 1 ... 10 typ. 5 %         |
| Reverse polarity protected        | reverse polarity protected |                           |
| Short-circuit protection          | pulsing                    |                           |
| Voltage drop                      | $U_d$                      | $\leq 2.8$ V              |
| Operating current                 | $I_L$                      | 0 ... 200 mA              |
| Off-state current                 | $I_r$                      | 0 ... 0.5 mA typ. 0.01 mA |
| No-load supply current            | $I_0$                      | $\leq 10$ mA              |
| Operating voltage display         | LED, green                 |                           |
| Indication of the switching state | LED, yellow                |                           |

**Ambient conditions**

|                     |                                |
|---------------------|--------------------------------|
| Ambient temperature | -25 ... 70 °C (-13 ... 158 °F) |
| Storage temperature | -25 ... 85 °C (-13 ... 185 °F) |

**Mechanical specifications**

|                   |      |
|-------------------|------|
| Housing material  | PBT  |
| Sensing face      | PBT  |
| Protection degree | IP67 |

**Compliance with standards and directives**

|                     |           |                         |
|---------------------|-----------|-------------------------|
| Standard conformity | Standards | IEC / EN 60947-5-2:2004 |
|---------------------|-----------|-------------------------|

**Approvals and certificates**

|              |                                |
|--------------|--------------------------------|
| UL approval  | cULus Listed, General Purpose  |
| CSA approval | cCSAus Listed, General Purpose |

Release date: 2010-11-30 23:21 Date of issue: 2010-11-30 093140\_ENG.xml