



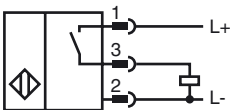
Model Number

NJ20+U4+E2-BHMS4

Features

- 3-wire DC
- Surface mount
- Sensing range 20 mm

Connection



Pinout



Wire colors

1	BK
2	WH
3	RD

Accessories

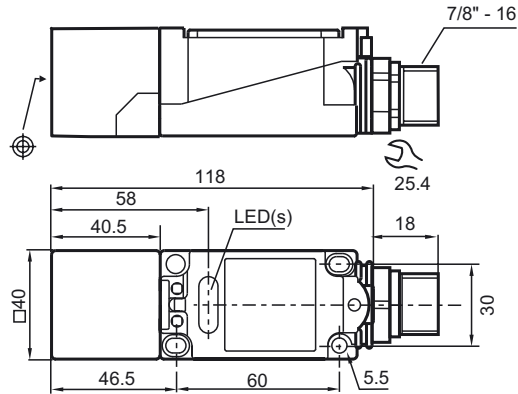
V94-G-YE2M-STOOW

Female connector, 7/8" - 16 UNF, 4-pin, PVC cable

V94-W-YE2M-STOOW

Female connector, 7/8" - 16 UNF, 4-pin, PVC cable

Dimensions



Technical Data

General specifications

Switching element function	PNP	NO
Rated operating distance	s_n	20 mm
Installation		embeddable
Output polarity		DC
Assured operating distance	s_a	0 ... 16.2 mm
Reduction factor r_{Al}		0.3
Reduction factor r_{Cu}		0.3
Reduction factor r_{V2A}		0.8

Nominal ratings

Operating voltage	U_B	10 ... 60 V
Switching frequency	f	0 ... 150 Hz
Hysteresis	H	1 ... 10 typ. 5 %
Reverse polarity protected		reverse polarity protected
Short-circuit protection		pulsing
Voltage drop	U_d	≤ 2.8 V
Operating current	I_L	0 ... 200 mA
Off-state current	I_r	0 ... 0.5 mA typ. 0.01 mA
No-load supply current	I_0	≤ 10 mA
Operating voltage display		LED, green
Indication of the switching state		LED, yellow

Standard conformity

Standards	IEC / EN 60947-5-2:2004
-----------	-------------------------

Ambient conditions

Ambient temperature	-25 ... 70 °C (-13 ... 158 °F)
Storage temperature	-25 ... 85 °C (-13 ... 185 °F)

Mechanical specifications

Housing material	PBT/metal
Sensing face	PBT
Protection degree	IP67

Approvals and certificates

UL approval	cULus Listed, General Purpose
CSA approval	cCSAus Listed, General Purpose

Release date: 2010-08-27 22:09 Date of issue: 2010-08-27 09:3064_ENG.xml