



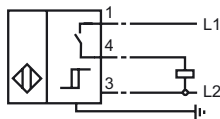
Model Number

NJ40+U4+DW2-10

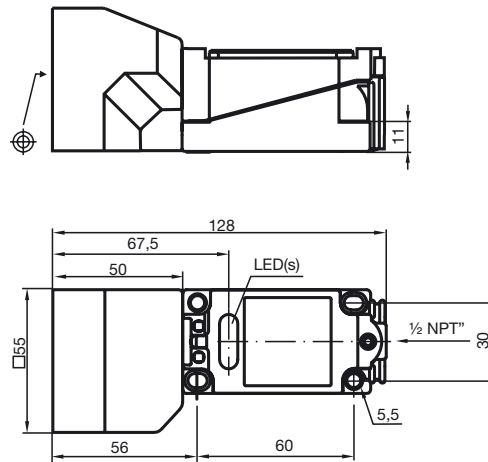
Features

- Surface mount
- Sensing range 40 mm
- 3-wire AC
- Frequency range - 1 to 10 Hz

Connection



Dimensions



Technical Data

General specifications

Switching element function	NO
Frequency range	1 ... 10 Hz , adjustable
Rated operating distance	s_n 40 mm
Installation	not embeddable
Output polarity	AC
Assured operating distance	s_a 0 ... 32.4 mm
Reduction factor r_{AI}	0.4
Reduction factor r_{Cu}	0.3
Reduction factor r_{V2A}	0.85

Nominal ratings

Operating voltage	U_B	90 ... 250 V AC
Hysteresis	H	3 ... 15 typ. 5
Short-circuit protection		no
Voltage drop	U_d	≤ 2 V
Momentary current (20 ms, 0.1 Hz)		0 ... 1000 mA
Operating current	I_L	0 ... 150 mA
Off-state current	I_r	0 ... 0.8 mA typ.
Indication of the switching state		LED 1: yellow
Vaporization display		LED 2: yellow

Ambient conditions

Ambient temperature	-25 ... 70 °C (-13 ... 158 °F)
---------------------	--------------------------------

Mechanical specifications

Connection type	screw terminals
Core cross-section	up to 2.5 mm ²
Housing material	PBT/metal
Sensing face	PBT
Protection degree	IP67
Note	1) In the temperature range below 0 °C, permissible operating voltage U_B 80...253 V Safety fuse ≤ 0.2 A (quick-blow) according to IEC 60127-2 Sheet 1 Recommendation: after a short circuit, check that the device is functioning correctly.

Compliance with standards and directives

Standard conformity	
Standards	IEC / EN 60947-5-2:2004

Approvals and certificates

UL approval	cULus Listed, General Purpose
CSA approval	cCSAus Listed, General Purpose

Release date: 2010-10-21 22:00 Date of issue: 2010-10-21 092259_ENG.xml