



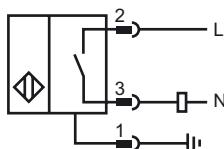
Model Number

NJ40+U4+W-V12-N.O.

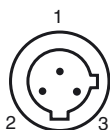
Features

- 2-wire AC
- Surface mount
- Sensing range 40 mm

Connection



Pinout



Wire colors

1	GN
2	RD/BK
3	RD/WH

Accessories

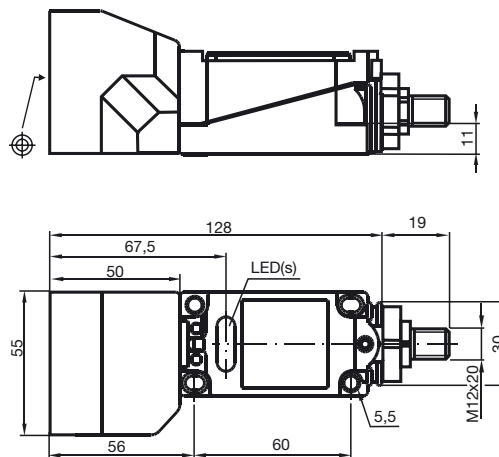
V12-G-YE2M-PVC

Cable connector

V12-W-YE2M-PVC

Cable connector

Dimensions



Technical Data

General specifications

Switching element function	AC	NO
Rated operating distance	s_n	40 mm
Installation	not embeddable	
Output polarity	AC	
Assured operating distance	s_a	0 ... 32.4 mm
Reduction factor r_{Al}	0.5	
Reduction factor r_{Cu}	0.45	
Reduction factor r_{V2A}	0.8	

Nominal ratings

Operating voltage	U_B	20 ... 253 V ¹⁾
Switching frequency	f	0 ... 20 Hz
Hysteresis	H	1 ... 10 typ. 5 %
Voltage drop	U_d	≤ 12 V
Momentary current (20 ms, 0.1 Hz)	0 ... 3000 mA	
Operating current	I_L	8 ... 500 mA
Off-state current	I_r	0.5 ... 1.95 mA typ. 1.2 mA
Operating voltage display	LED, green	
Indication of the switching state	LED, yellow	

Standard conformity

Standards	IEC / EN 60947-5-2:2004
-----------	-------------------------

Ambient conditions

Ambient temperature	-25 ... 70 °C (-13 ... 158 °F)
Storage temperature	-25 ... 85 °C (-13 ... 185 °F)

Mechanical specifications

Connection type	V12 connector
Core cross-section	up to 2.5 mm ²
Housing material	PBT/metal
Sensing face	PBT
Protection degree	IP68
Note	¹⁾ In the temperature range below 0 °C, permissible operating voltage U_B 80...253 V

Safety fuse ≤ 2 A (quick-blow) according to IEC 60127-2 Sheet 1
 Recommendation: after a short circuit, check that the device is functioning correctly.

Approvals and certificates

UL approval	cULus Listed, General Purpose
CSA approval	cCSAus Listed, General Purpose

Release date: 2010-06-18 18:34 Date of issue: 2010-06-18 091996_ENG.xml