



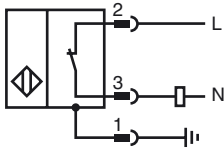
Model Number

NJ30+U4+W-BHMS3-N.C.

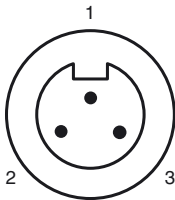
Features

- 30 mm not embeddable

Connection



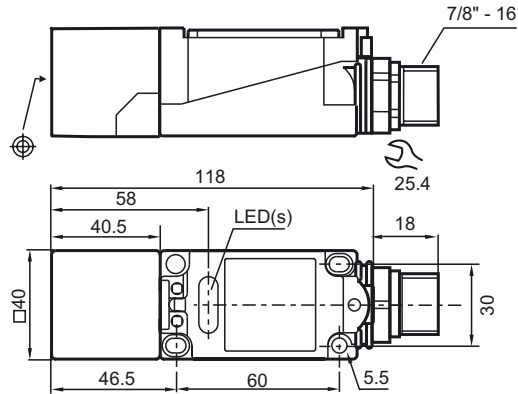
Pinout



Wire colors

- | | | |
|---|--|----|
| 1 | | GN |
| 2 | | BK |
| 3 | | WH |

Dimensions



Technical Data

General specifications			
Switching element function		AC/DC	NC
Rated operating distance	s_n	30 mm	
Installation		not embeddable	
Output polarity		AC	
Assured operating distance	s_a	0 ... 24.3 mm	
Reduction factor r_{Al}		0.45	
Reduction factor r_{Cu}		0.4	
Reduction factor r_{V2A}		0.8	
Nominal ratings			
Operating voltage	U_B	20 ... 253 V ¹⁾	
Switching frequency	f	0 ... 20 Hz	
Hysteresis	H	1 ... 10 typ. 5 %	
Voltage drop	U_d	≤ 12 V	
Momentary current (20 ms, 0.1 Hz)		0 ... 3000 mA	
Operating current	I_L	8 ... 500 mA	
Off-state current	I_r	0.5 ... 1.95 mA typ. 1.2 mA	
Operating voltage display		LED, green	
Indication of the switching state		LED, yellow	
Ambient conditions			
Ambient temperature		-25 ... 70 °C (-13 ... 158 °F)	
Storage temperature		-25 ... 85 °C (-13 ... 185 °F)	
Mechanical specifications			
Connection type		Quick disconnect type BHMS3	
Housing material		PBT/metal	
Sensing face		PBT	
Protection degree		IP68	
Note		¹⁾ In the temperature range below 0 °C, permissible operating voltage U_b 80...253 V	
Compliance with standards and directives			
Standard conformity			
Standards		EN 60947-5-2:2007 IEC 60947-5-2:2007	
Approvals and certificates			
UL approval		cULus Listed, General Purpose	
CSA approval		cCSAus Listed, General Purpose	
CCC approval		Certified by China Compulsory Certification (CCC)	

Release date: 2011-02-11 14:06 Date of issue: 2011-02-11 09:1259_ENG.xml