



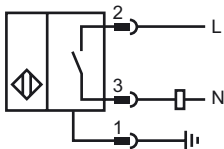
Model Number

NJ15+U4+W-BHMSP3-N.O.

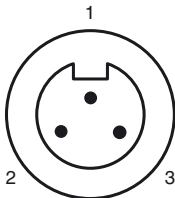
Features

- 15 mm embeddable

Connection



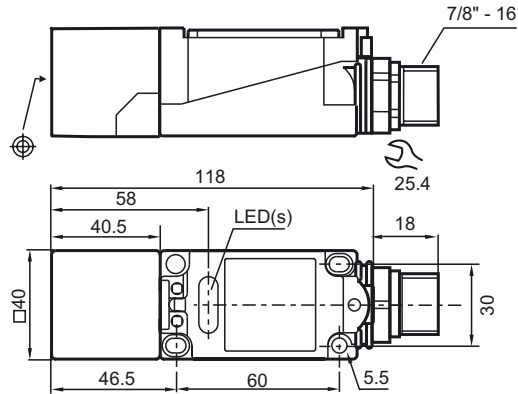
Pinout



Wire colors

- | | |
|---|----|
| 1 | GN |
| 2 | BK |
| 3 | WH |

Dimensions



Technical Data

General specifications

Switching element function	AC	NO
Rated operating distance	s_n	15 mm
Installation		embeddable
Output polarity		AC
Assured operating distance	s_a	0 ... 12.15 mm
Reduction factor r_{Al}		0.3
Reduction factor r_{Cu}		0.25
Reduction factor r_{V2A}		0.75

Nominal ratings

Operating voltage	U_B	20 ... 253 V
Switching frequency	f	0 ... 20 Hz
Hysteresis	H	1 ... 10 typ. 5 %
Voltage drop	U_d	≤ 4 V
Momentary current (20 ms, 0.1 Hz)		≤ 4 A
Operating current	I_L	10 ... 500 mA
Off-state current	I_r	0 ... 2.5 mA typ.
Operating voltage display		LED, green
Indication of the switching state		LED, yellow

Ambient conditions

Ambient temperature	-25 ... 70 °C (-13 ... 158 °F)
Storage temperature	-25 ... 85 °C (-13 ... 185 °F)

Mechanical specifications

Connection type	Quick disconnect type BHMSP3
Housing material	Crastin (PBT) housing/epoxy-filled metal base
Sensing face	PBT
Protection degree	IP68

Compliance with standards and directives

Standard conformity	
Standards	EN 60947-5-2:2007 IEC 60947-5-2:2007

Approvals and certificates

UL approval	cULus Listed, General Purpose
CSA approval	cCSAus Listed, General Purpose
CCC approval	Certified by China Compulsory Certification (CCC)

Release date: 2010-08-20 15:31 Date of issue: 2010-08-20 090059_ENG.xml