



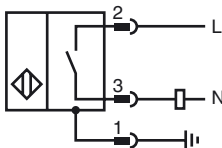
**Model Number**

NJ30+U4+W-BHMS3-N.0.

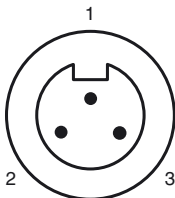
**Features**

- 2-wire AC
- Surface mount
- Sensing range 30 mm

**Connection**



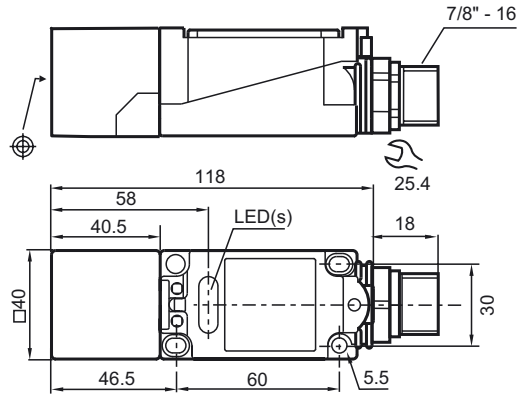
**Pinout**



**Wire colors**

1	GN	(green)
2	BK	(black)
3	WH	(white)

**Dimensions**



**Technical Data**

**General specifications**

Switching element function	AC	NO
Rated operating distance	$s_n$	30 mm
Installation	non-flush	
Output polarity	AC	
Assured operating distance	$s_a$	0 ... 24.3 mm
Reduction factor $r_{Al}$	0.45	
Reduction factor $r_{Cu}$	0.4	
Reduction factor $r_{304}$	0.8	

**Nominal ratings**

Operating voltage	$U_B$	20 ... 253 V <sup>1)</sup>
Switching frequency	$f$	0 ... 20 Hz
Hysteresis	$H$	1 ... 10 typ. 5 %
Voltage drop	$U_d$	≤ 5 V
Momentary current (20 ms, 0.1 Hz)	0 ... 3000 mA	
Operating current	$I_L$	8 ... 500 mA
Off-state current	$I_r$	0.5 ... 1.95 mA typ. 1.2 mA
Time delay before availability	$t_v$	≤ 70 ms
Operating voltage display	LED, green	
Indication of the switching state	LED, yellow	

**Ambient conditions**

Ambient temperature	-25 ... 70 °C (-13 ... 158 °F)
Storage temperature	-25 ... 85 °C (-13 ... 185 °F)

**Mechanical specifications**

Connection type	Quick disconnect type BHMS3
Housing material	PBT
Sensing face	PBT
Housing base	metal
Protection degree	IP68
Note	<sup>1)</sup> In the temperature range below 0 °C, permissible operating voltage $U_b$ 80...253 V

**Compliance with standards and directives**

Standard conformity	
Standards	EN 60947-5-2:2007 IEC 60947-5-2:2007

**Approvals and certificates**

UL approval	cULus Listed, General Purpose
CSA approval	cCSAus Listed, General Purpose

Release date: 2012-10-26 13:57 Date of issue: 2012-10-26 089967\_eng.xml