



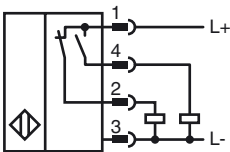
Model Number

NJ30+U1+A2-V1

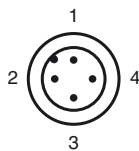
Features

- Comfort series
- 30 mm not embeddable

Connection



Pinout



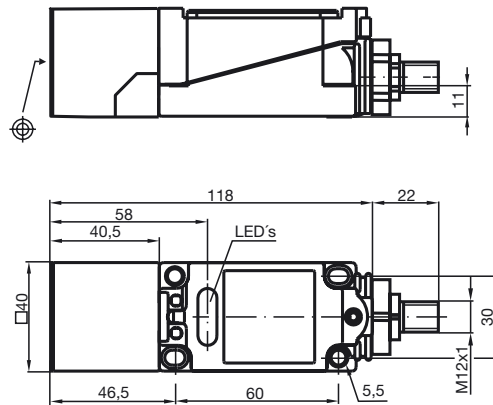
Wire colors in accordance with EN 60947-5-2

| | | |
|---|----|---------|
| 1 | BN | (brown) |
| 2 | WH | (white) |
| 3 | BU | (blue) |
| 4 | BK | (black) |

Accessories

- V1-G**
4-pin, M12 female field-attachable connector
- V1-W**
4-pin, M12 female field-attachable connector
- V1-W-2M-PUR**
Cable socket, M12, 4-pin, PUR cable
- V1-G-2M-PUR**
Cable socket, M12, 4-pin, PUR cable
- MH 04-2681F**
Mounting aid for VariKont, +U1+ and +U9*
- MHW 01**
Modular mounting bracket

Dimensions



Technical Data

General specifications

| | | |
|----------------------------|-------|----------------|
| Switching element function | PNP | NO/NC |
| Rated operating distance | s_n | 30 mm |
| Installation | | not embeddable |
| Output polarity | | DC |
| Assured operating distance | s_a | 0 ... 24.3 mm |
| Reduction factor r_{Al} | | 0.45 |
| Reduction factor r_{Cu} | | 0.4 |
| Reduction factor r_{303} | | 0.8 |

Nominal ratings

| | | |
|-----------------------------------|-------|----------------------------|
| Operating voltage | U_B | 10 ... 60 V |
| Switching frequency | f | 0 ... 100 Hz |
| Hysteresis | H | 1 ... 10 typ. 5 % |
| Reverse polarity protected | | reverse polarity protected |
| Short-circuit protection | | pulsing |
| Voltage drop | U_d | ≤ 2.8 V |
| Operating current | I_L | 0 ... 200 mA |
| No-load supply current | I_0 | ≤ 10 mA |
| Operating voltage display | | LED, green |
| Indication of the switching state | | LED, yellow |

Ambient conditions

| | | |
|---------------------|--|--------------------------------|
| Ambient temperature | | -25 ... 70 °C (-13 ... 158 °F) |
|---------------------|--|--------------------------------|

Mechanical specifications

| | |
|-------------------|---------------------------------|
| Connection type | Device connector M12 x 1, 4-pin |
| Housing material | PBT |
| Sensing face | PBT |
| Protection degree | IP68 |

Compliance with standards and directives

| | |
|---------------------|---|
| Standard conformity | |
| Standards | EN 60947-5-2:2007 IEC 60947-5-2:2007 |

Approvals and certificates

| | |
|--------------|---|
| UL approval | cULus Listed, General Purpose |
| CSA approval | cCSAus Listed, General Purpose |
| CCC approval | Certified by China Compulsory Certification (CCC) |

Release date: 2011-07-20 11:50 Date of issue: 2011-07-20 089951_eng.xml