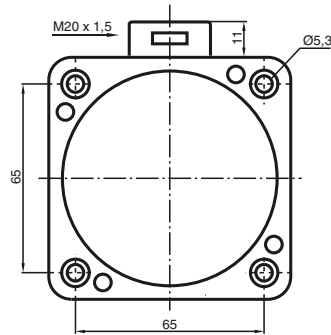
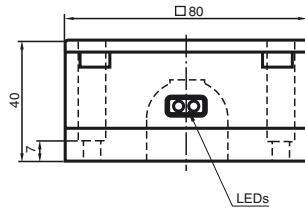


Inductive proximity switches

NJ50-FP-A-P3M-Y89243

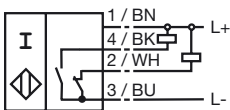
Comfort series
 50 mm not embeddable
 Metric cable gland M20 x 1.5
 1.5



Switching element function	NPN	Antivalent
Rated operating distance s_n	50 mm	
Installation	not embeddable	
Assured operating distance s_a	0 ... 40,5 mm	
Reduction factor r_{AI}	0,4	
Reduction factor r_{Cu}	0,3	
Reduction factor r_{V2A}	0,85	
Operating voltage U_B	10 ... 60 V	
Switching frequency f	0 ... 100 Hz	
Hysteresis H	typ. 3 %	
Reverse polarity protection	Protected against reverse polarity	
Short circuit protection	pulsing	
Voltage drop U_d	≤ 3 V	
Operating current I_L	0 ... 200 mA	
Off-state current I_r	0 ... 0,5 mA typ.	
No-load supply current I_0	≤ 20 mA	
Operating voltage display	LED, green	
Indication of the switching state	LED, yellow	
Standards	EN 60947-5-2	
Ambient temperature	-25 ... 70 °C (248 ... 343 K)	
Connection type	terminal compartment	
Core cross-section	up to 2.5 mm ²	
Housing material	PBT/metal	
Sensing face	PBT	
Protection degree	IP67	

Connection_type:

A / A0



089243_ENG.xml

2003-10-06

www.pepperl-fuchs.com

PEPPERL+FUCHS GmbH