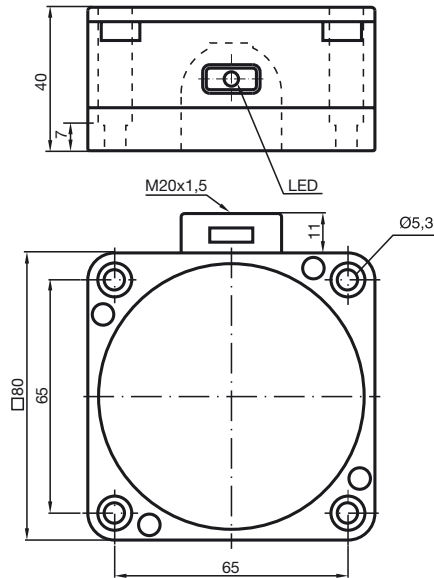
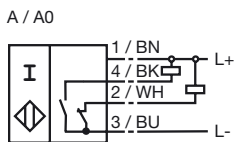


Comfort series
 50 mm not embeddable
 Metric cable gland M20 x 1.5



Switching element function	NPN Antivalent
Rated operating distance s_n	50 mm
Installation	not embeddable
Assured operating distance s_a	0 ... 40,5 mm
Reduction factor r_{AI}	0,4
Reduction factor r_{Cu}	0,3
Reduction factor r_{V2A}	0,85
Operating voltage U_B	10 ... 60 V
Switching frequency f	0 ... 100 Hz
Hysteresis H	typ. 3 %
Reverse polarity protection	Protected against reverse polarity
Short circuit protection	pulsing
Voltage drop U_d	≤ 3 V
Operating current I_L	0 ... 200 mA
Off-state current I_r	0 ... 0,5 mA
No-load supply current I_0	≤ 20 mA
Operating voltage display	LED, green
Indication of the switching state	LED, yellow
Standards	EN 60947-5-2
Ambient temperature	-25 ... 70 °C (248 ... 343 K)
Connection type	terminal compartment
Core cross-section	up to 2.5 mm ²
Housing material	PBT/metal
Sensing face	PBT
Protection degree	IP67

Connection_type:



089242_ENG.xml

2003-10-06

www.pepperl-fuchs.com

PEPPERL+FUCHS GmbH