



Model Number

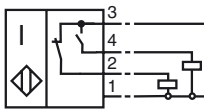
NJ30+U1+W4

Features

- Comfort series
- 30 mm not embeddable

Connection

W4



Accessories

V1-M20-80

Receptacles

V1-G

Non pre-wired cable socket

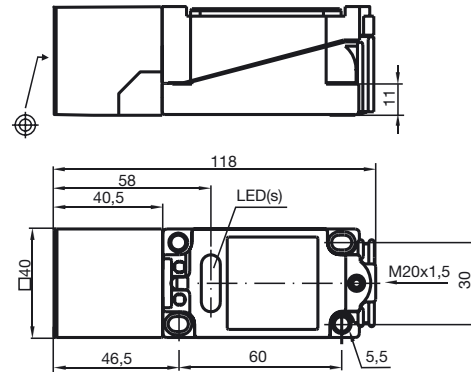
V1-W

Non pre-wired cable socket

MHW 01

Mounting aid

Dimensions



Technical Data

General specifications

Switching element function		ACMake/Break function
Rated operating distance	s_n	30 mm
Installation		not embeddable
Output polarity		AC
Assured operating distance	s_a	0 ... 24.3 mm
Reduction factor r_{Al}		0.45
Reduction factor r_{Cu}		0.4
Reduction factor r_{V2A}		0.8

Nominal ratings

Operating voltage	U_B	20 ... 253 V
Switching frequency	f	0 ... 20 Hz
Hysteresis	H	1 ... 10 typ. 5 %
Voltage drop	U_d	≤ 5 V
Momentary current (20 ms, 0.1 Hz)		≤ 4 A
Operating current	I_L	10 ... 500 mA
Off-state current	I_r	0 ... 2.5 mA typ.
Indication of the switching state		LED green: NC LED red: NO

Ambient conditions

Ambient temperature	-25 ... 70 °C (248 ... 343 K)
Storage temperature	-25 ... 85 °C (248 ... 358 K)

Mechanical specifications

Connection type	terminal compartment
Core cross-section	up to 2.5 mm ²
Housing material	PBT
Sensing face	PBT
Protection degree	IP68
Note	¹⁾ In the temperature range below 0 °C, permissible operating voltage U_b 80...253 V Safety fuse ≤ 2 A (quick-blow) according to IEC 60127-2 Sheet 1 Recommendation: after a short circuit, check that the device is functioning correctly.

Compliance with standards and directives

Standard conformity	
Standards	EN 60947-5-2:2007 IEC 60947-5-2:2007

Approvals and certificates

CCC approval	Certified by China Compulsory Certification (CCC)
--------------	---