



### Model Number

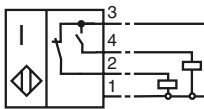
NJ15+U1+W4

### Features

- Comfort series
- 15 mm embeddable

### Connection

W4



### Accessories

#### V1-M20-80

Receptacles

#### MHW 01

Mounting aid

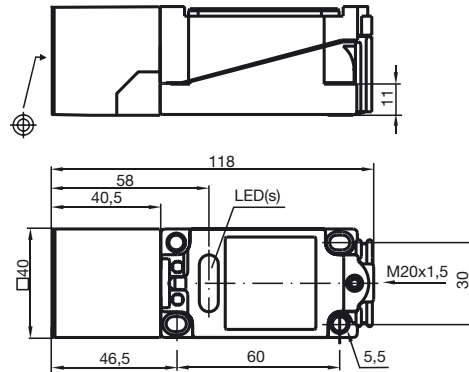
#### V1-G

Non pre-wired cable socket

#### V1-W

Non pre-wired cable socket

## Dimensions



## Technical Data

### General specifications

Switching element function	ACMake/Break function
Rated operating distance	$s_n$ 15 mm
Installation	embeddable
Output polarity	AC
Assured operating distance	$s_a$ 0 ... 12.15 mm
Reduction factor $r_{AI}$	0.3
Reduction factor $r_{Cu}$	0.25
Reduction factor $r_{V2A}$	0.75

### Nominal ratings

Operating voltage	$U_B$	20 ... 253 V
Switching frequency	$f$	0 ... 20 Hz
Hysteresis	$H$	1 ... 10 typ. 5 %
Voltage drop	$U_d$	$\leq 4$ V
Momentary current (20 ms, 0.1 Hz)		$\leq 4$ A
Operating current	$I_L$	10 ... 500 mA
Off-state current	$I_r$	0 ... 2.5 mA typ.
Indication of the switching state		LED green: NC LED red: NO

### Standard conformity

Standards	IEC / EN 60947-5-2:2004
-----------	-------------------------

### Ambient conditions

Ambient temperature	-25 ... 70 °C (248 ... 343 K)
Storage temperature	-25 ... 85 °C (248 ... 358 K)

### Mechanical specifications

Connection type	terminal compartment
Core cross-section	up to 2.5 mm <sup>2</sup>
Housing material	PBT
Sensing face	PBT
Protection degree	IP68
Note	<sup>1)</sup> In the temperature range below 0 °C, permissible operating voltage $U_b$ 80...253 V Safety fuse $\leq 2$ A (quick-blow) according to IEC 60127-2 Sheet 1 Recommendation: after a short circuit, check that the device is functioning correctly.

### Approvals and certificates

CCC approval	Certified by China Compulsory Certification (CCC)
--------------	---