



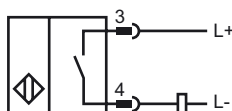
Model Number

NBN30-L2-Z0-V1

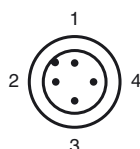
Features

- Basic series
- 30 mm not embeddable

Connection



Pinout



Wire colors in accordance with EN 60947-5-2

1	BN
2	WH
3	BU
4	BK

Accessories

V1-W

Non pre-wired cable socket

V1-G-2M-PUR

Cable connector

MH 02-L

Mounting aid

V1-G

Non pre-wired cable socket

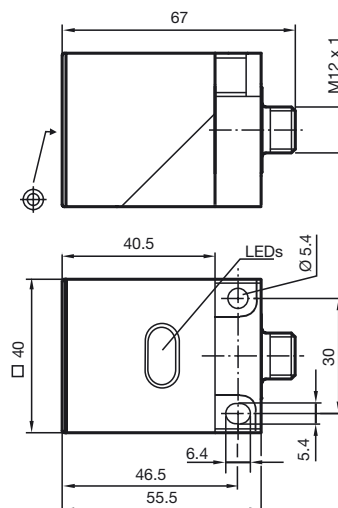
V1-W-2M-PUR

Cable connector

MHW 01

Mounting aid

Dimensions



Technical Data

General specifications

Switching element function	NO
Rated operating distance	s_n 30 mm
Installation	not embeddable
Output polarity	DC
Assured operating distance	s_a 0 ... 24.3 mm
Reduction factor r_{AI}	0.3
Reduction factor r_{Cu}	0.2
Reduction factor r_{V2A}	0.7

Nominal ratings

Operating voltage	U_B	5 ... 60 V
Switching frequency	f	0 ... 30 Hz
Reverse polarity protection		tolerant
Short-circuit protection		yes
Operating current	I_L	2 ... 200 mA
Off-state current	I_r	0 ... 0.5 mA typ.
Indication of the switching state		LED, yellow

Standard conformity

Standards	IEC / EN 60947-5-2:2004
-----------	-------------------------

Ambient conditions

Ambient temperature	-25 ... 70 °C (248 ... 343 K)
---------------------	-------------------------------

Mechanical specifications

Connection type	V1-connector
Housing material	PBT
Sensing face	PBT
Protection degree	IP67

Approvals and certificates

CCC approval	Certified by China Compulsory Certification (CCC)
--------------	---