



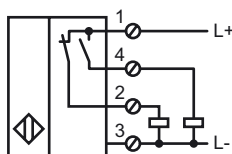
## Model Number

NJ20+U10+A2

## Features

- Comfort series
- 20 mm embeddable
- With cable gland for cable diameters from 7 to 10.5 mm (extendable with different gasket)

## Connection



## Accessories

### V1-M20-80

Receptacles, M12/M20; plastic version

### V1-G

4-pin, M12 female field-attachable connector

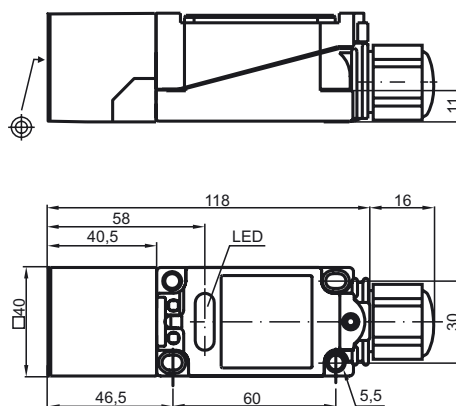
### MHW 01

Modular mounting bracket

### V1-W

4-pin, M12 female field-attachable connector

## Dimensions



## Technical Data

### General specifications

Switching element function		PNP	NO/NC
Rated operating distance	$s_n$	20 mm	
Installation		embeddable	
Output polarity		DC	
Assured operating distance	$s_a$	0 ... 16.2 mm	
Reduction factor $r_{AI}$		0.35	
Reduction factor $r_{Cu}$		0.35	
Reduction factor $r_{303}$		0.8	

### Nominal ratings

Operating voltage	$U_B$	10 ... 60 V	
Switching frequency	$f$	0 ... 150 Hz	
Hysteresis	$H$	1 ... 10 typ. 5 %	
Reverse polarity protected		reverse polarity protected	
Short-circuit protection		pulsing	
Voltage drop	$U_d$	$\leq 2.8$ V	
Operating current	$I_L$	0 ... 200 mA	
No-load supply current	$I_0$	$\leq 10$ mA	
Operating voltage display		LED, green	
Indication of the switching state		LED, yellow	

### Ambient conditions

Ambient temperature	-25 ... 70 °C (-13 ... 158 °F)
---------------------	--------------------------------

### Mechanical specifications

Connection type	screw terminals
Core cross-section	up to 2.5 mm <sup>2</sup>
Housing material	PBT
Sensing face	PBT
Protection degree	IP68

### Compliance with standards and directives

Standard conformity	
Standards	EN 60947-5-2:2007 IEC 60947-5-2:2007

### Approvals and certificates

UL approval	cULus Listed, General Purpose
CSA approval	cCSAus Listed, General Purpose
CCC approval	Certified by China Compulsory Certification (CCC)