



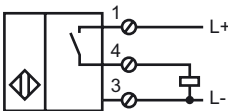
**Model Number**

NJ15+U10+E2

**Features**

- Comfort series
- 15 mm embeddable
- With cable gland for cable diameters from 7 to 10.5 mm (extendable with different gasket)

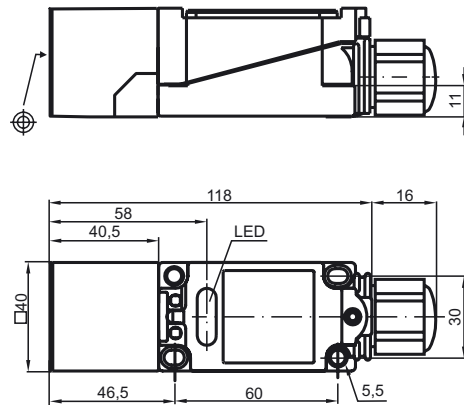
**Connection**



**Accessories**

- V1-M20-80**  
Receptacles, M12/M20; plastic version
- V1-W**  
4-pin, M12 female field-attachable connector
- MHW 01**  
Modular mounting bracket
- V1-G**  
4-pin, M12 female field-attachable connector

**Dimensions**



**Technical Data**

**General specifications**

Switching element function		PNP	NO
Rated operating distance	$s_n$	15 mm	
Installation		embeddable	
Output polarity		DC	
Assured operating distance	$s_a$	0 ... 12.15 mm	
Reduction factor $r_{Al}$		0.3	
Reduction factor $r_{Cu}$		0.25	
Reduction factor $r_{303}$		0.75	

**Nominal ratings**

Operating voltage	$U_B$	10 ... 60 V
Switching frequency	$f$	0 ... 150 Hz
Hysteresis	$H$	1 ... 10 typ. 5 %
Reverse polarity protected		reverse polarity protected
Short-circuit protection		pulsing
Voltage drop	$U_d$	$\leq 2.8$ V
Operating current	$I_L$	0 ... 200 mA
Off-state current	$I_r$	0 ... 0.5 mA typ. 0.01 mA
No-load supply current	$I_0$	$\leq 10$ mA
Operating voltage display		LED, green
Indication of the switching state		LED, yellow

**Ambient conditions**

Ambient temperature	-25 ... 70 °C (-13 ... 158 °F)
Storage temperature	-25 ... 85 °C (-13 ... 185 °F)

**Mechanical specifications**

Connection type	screw terminals
Core cross-section	up to 2.5 mm <sup>2</sup>
Housing material	PBT
Sensing face	PBT
Protection degree	IP68

**Compliance with standards and directives**

Standard conformity	
Standards	EN 60947-5-2:2007 IEC 60947-5-2:2007

**Approvals and certificates**

UL approval	cULus Listed, General Purpose
CSA approval	cCSAus Listed, General Purpose
CCC approval	Certified by China Compulsory Certification (CCC)

Release date: 2011-07-20 11:47 Date of issue: 2011-07-20 087415\_eng.xml