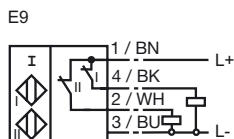


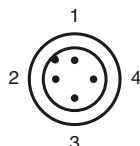


Model Number
NBN3-F25F-E9-V1

Connection



Pinout



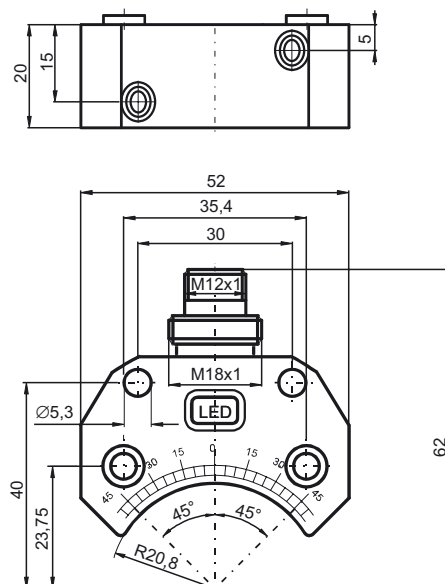
Wire colors in accordance with EN 60947-5-2

1	BN	(brown)
2	WH	(white)
3	BU	(blue)
4	BK	(black)

Accessories

- V1-G**
Field attachable female cordset
- V1-W**
Field attachable female cordset
- V1-W-2M-PUR**
Cable socket, M12, 4-pin, PUR cable
- V1-G-2M-PUR**
Cable socket, M12, 4-pin, PUR cable

Dimensions



Technical Data

General specifications	
Switching element function	----
Rated operating distance	s_n 3 mm
Installation	flush mountable
Output polarity	switched high
Assured operating distance	s_a 0 ... 2.43 mm
Reduction factor r_{Al}	0.5
Reduction factor r_{Cu}	0.4
Reduction factor r_{303}	1
Reduction factor r_{S137}	1.1
Nominal ratings	
Operating voltage	U_B 10 ... 30 V
Switching frequency	f 0 ... 500 Hz
Hysteresis	H typ. 5 %
Reverse polarity protected	all connections
Short-circuit protection	pulsing
Voltage drop	U_d \leq 3 V
Operating current	I_L 0 ... 200 mA
Off-state current	I_r 0 ... 0.5 mA typ.
No-load supply current	I_0 \leq 35 mA
Operating voltage display	LED, green
Indication of the switching state	LED, yellow
Ambient conditions	
Ambient temperature	-25 ... 70 °C (-13 ... 158 °F)
Storage temperature	-40 ... 85 °C (-40 ... 185 °F)
Mechanical specifications	
Connection type	Device connector M12 x 1 , 4-pin
Housing material	PBT
Sensing face	PBT
Protection degree	IP67
Tightening torque, fastening screws	M5 x 25 : 2.7 Nm
Compliance with standards and directives	
Standard conformity	
Standards	EN 60947-5-2:2007 IEC 60947-5-2:2007
Approvals and certificates	
UL approval	cULus Listed, General Purpose
CSA approval	cCSAus Listed, General Purpose
CCC approval	Products with a maximum operating voltage of \leq 36 V do not bear a CCC marking because they do not require approval.

Release date: 2011-06-15 16:04 Date of issue: 2011-06-15 08:6675_ENG.xml