



**Model Number**

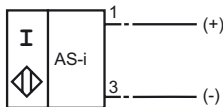
**NBN40+U1A+B3-V1**

**Features**

- Basic series
- 40 mm non-flush
- NO/NC programmable
- Adjustable sensor head
- Oscillator monitoring

**Connection**

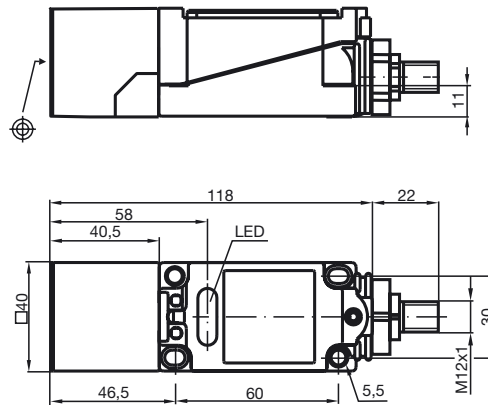
B3 (...+V1)



**Accessories**

- V1-G**  
4-pin, M12 female field-attachable connector
- V1-G-2M-PUR**  
Cable socket, M12, 4-pin, PUR cable
- MH 04-2681F**  
Mounting aid for VariKont, +U1+ and +U9\*
- V1-W**  
4-pin, M12 female field-attachable connector
- V1-W-2M-PUR**  
Cable socket, M12, 4-pin, PUR cable
- MHW 01**  
Modular mounting bracket

**Dimensions**



**Technical Data**

**General specifications**

Switching element function		NO/NC programmable
Rated operating distance	$s_n$	40 mm
Installation		non-flush
Output polarity		AS-Interface
Assured operating distance	$s_a$	0 ... 32.4 mm
Reduction factor $r_{Al}$		0.5
Reduction factor $r_{Cu}$		0.45
Reduction factor $r_{304}$		0.85

**Nominal ratings**

Operating voltage	$U_B$	26.5 ... 31.9 V via AS-i bus system
Switching frequency	$f$	0 ... 150 Hz
Hysteresis	$H$	1 ... 15 typ. 5 %
Reverse polarity protected		reverse polarity protected
No-load supply current	$I_0$	≤ 25 mA
Operating voltage display		LED, green
Indication of the switching state		LED, yellow

**Ambient conditions**

Ambient temperature	-25 ... 70 °C (-13 ... 158 °F)
Storage temperature	-40 ... 85 °C (-40 ... 185 °F)

**Mechanical specifications**

Housing material	PBT
Sensing face	PBT
Protection degree	IP67
Mass	340 g

**Compliance with standards and directives**

Standard conformity	
Standards	EN 60947-5-2:2007 IEC 60947-5-2:2007

**Approvals and certificates**

UL approval	cULus Listed, General Purpose
CSA approval	cCSAus Listed, General Purpose
CCC approval	Products with a maximum operating voltage of ≤36 V do not bear a CCC marking because they do not require approval.

Release date: 2012-05-04 09:28 Date of issue: 2012-05-04 086625\_eng.xml

**Programming Instructions**

Address 00 preset, alterable  
via Busmaster or  
programming units  
IO-Code 1  
ID-Code 1

**Data bit**

**Bit Function**

D0 switching state<sup>1)</sup>  
(0 = damped; 1 = undamped)  
D1 not used  
D2 oscillator monitoring  
(0= oscillator defective,  
1=normal operation)  
D3 not used

**Parameter bit**

**Bit Function**

P0 not used  
P1 switching element function<sup>2)</sup>  
(0 = NC; 1 = NO)  
P2 not used  
P3 not used

<sup>1)</sup> Applies to NO funktion (P1 = 1; preset),  
with NC funktion (P1 = 0) reversed characteristics  
<sup>2)</sup> Default setting: NO