



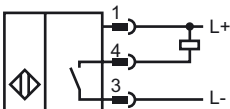
### Model Number

NJ1,5-F2-E0-V3

### Features

- Comfort series

### Connection



### Pinout



Wire colors in accordance with EN 60947-5-2

1	BN
3	BU
4	BK

### Accessories

#### V3-WM

Cable connector

#### V3-GM-2M-PUR

Cable connector

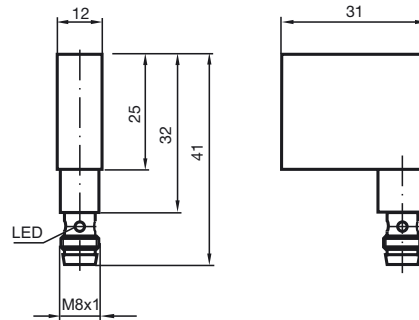
#### V3-GM

Cable connector

#### V3-WM-2M-PUR

Cable connector

## Dimensions



## Technical Data

### General specifications

Switching element function		NPN Make function
Rated operating distance	$s_n$	1.5 mm
Installation		embeddable
Output polarity		DC
Assured operating distance	$s_a$	0 ... 1.215 mm

### Nominal ratings

Operating voltage	$U_B$	10 ... 30 V
Switching frequency	$f$	1000 Hz
Hysteresis	$H$	typ. 5%
Reverse polarity protection		protected against reverse polarity
Short-circuit protection		pulsing
Voltage drop	$U_d$	$\leq 3$ V
Operating current	$I_L$	0 ... 200 mA
No-load supply current	$I_0$	$\leq 15$ mA
Indication of the switching state		LED, red

### Ambient conditions

Ambient temperature	-25 ... 70 °C (248 ... 343 K)
---------------------	-------------------------------

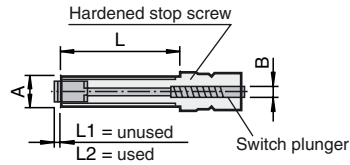
### Mechanical specifications

Connection type	V3-connector
Housing material	Polyamide (PA)
Protection degree	IP67
Mass	20 g
Note	Use a stop screw combined with a model -F2 sensor from Pepperl+Fuchs GmbH. The maximum actuation speed of the control slide is 0.1 m/s

**Installation hint**

The inductive proximity sensor with plug-in acknowledgement elements is designed for applications where the simple installation of an adjustable mechanical stop with electronic acknowledgement is required. Heavy duty fine threaded stop screws serve as finely adjustable end stops. The state of the acknowledgement element is indicated by the built-in LED on the proximity sensor.

Accessories:  
Stop screws (Acknowledgement elements)



Type Coding	A	B	L	L1	L2	Load F max.
AS 08/15	M 8 x 1	6	15	3,5	2	2 000 N
AS 08/40	M 8 x 1	6	40	3,5	2	2 000 N
AS 10/50	M 10 x 1	7	50	2,5	1	9 500 N
AS 12/60	M 12 x 1	9	60	2	0,5	20 500 N
AS 12/80	M 12 x 1	9	80	2	0,5	20 500 N

