



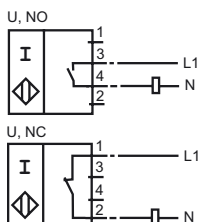
### Model Number

NCN20+U1+U

### Features

- Comfort series
- 20 mm not embeddable

### Connection



### Accessories

#### V1-M20-80

Receptacles

#### V1-W

Non pre-wired cable socket

#### V1-W-2M-PUR

Cable connector

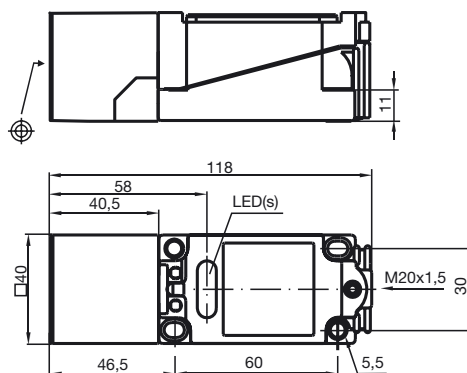
#### V1-G-2M-PUR

Cable connector

#### MHW 01

Mounting aid

## Dimensions



## Technical Data

### General specifications

Switching element function	AC/DCMake/Break function
Rated operating distance	$s_n$ 20 mm
Installation	not embeddable
Output polarity	AC/DC
Assured operating distance	$s_a$ 0 ... 16.2 mm
Reduction factor $r_{AI}$	0.37
Reduction factor $r_{Cu}$	0.35
Reduction factor $r_{V2A}$	0.79

### Nominal ratings

Operating voltage	$U_B$	20 ... 253 V
Operating voltage DC		20 ... 300 V
Switching frequency	$f$	0 ... 25 Hz
Hysteresis	$H$	typ. 3 %
Short-circuit protection		pulsing
Voltage drop	$U_d$	$\leq 4$ V
Momentary current (20 ms, 0.1 Hz)		0 ... 3000 mA
Operating current	$I_L$	5 ... 500 mA
Off-state current	$I_r$	0 ... 2.5 mA typ. 1.5 mA
Operating voltage display		LED, green
Indication of the switching state		LED, yellow

### Standard conformity

Standards	IEC / EN 60947-5-2:2004
-----------	-------------------------

### Ambient conditions

Ambient temperature	-25 ... 70 °C (248 ... 343 K)
---------------------	-------------------------------

### Mechanical specifications

Connection type	terminal compartment
Core cross-section	up to 2.5 mm <sup>2</sup>
Housing material	PBT
Sensing face	PBT
Protection degree	IP68

### Approvals and certificates

CCC approval	Certified by China Compulsory Certification (CCC)
--------------	---