



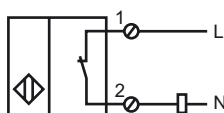
Model Number

NCN30+U4+U

Features

- Comfort series
- 30 mm non-flush
- 2-wire AC/DC

Connection



Accessories

V1-W

4-pin, M12 female field-attachable connector

V1-G-2M-PUR

Cable socket, M12, 4-pin, PUR cable

MHW 01

Modular mounting bracket

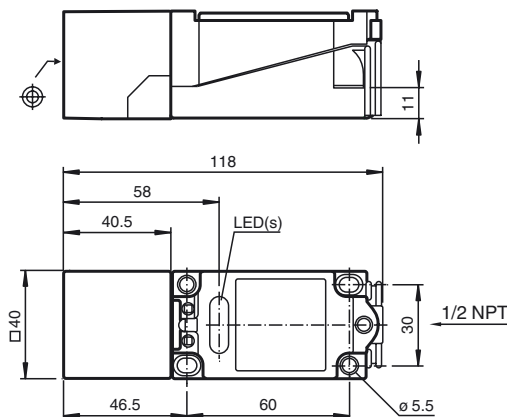
V1-M20-80

Receptacles, M12/M20; plastic version

V1-W-2M-PUR

Cable socket, M12, 4-pin, PUR cable

Dimensions



Technical Data

General specifications

Switching element function		AC/DC	NO/NC
Rated operating distance	s_n	30 mm	
Installation		non-flush	
Assured operating distance	s_a	0 ... 24.3 mm	
Reduction factor r_{Al}		0.45	
Reduction factor r_{Cu}		0.42	
Reduction factor r_{304}		0.79	

Nominal ratings

Operating voltage DC		20 ... 300 V	
Operating voltage AC		20 ... 253 V	
Switching frequency	f	0 ... 25 Hz	
Hysteresis	H	typ. 3 %	
Short-circuit protection		pulsing	
Voltage drop	U_d	≤ 4 V	
Momentary current (20 ms, 0.1 Hz)		0 ... 3000 mA	
Operating current	I_L	5 ... 500 mA	
Off-state current	I_r	0 ... 2.5 mA typ. 1.5 mA	
Operating voltage display		LED, green	
Indication of the switching state		LED, yellow	

Ambient conditions

Ambient temperature		-25 ... 70 °C (-13 ... 158 °F)
---------------------	--	--------------------------------

Mechanical specifications

Connection type	screw terminals
Core cross-section	≤ 2.5 mm ²
Housing material	PBT/metal
Sensing face	PBT
Protection degree	IP68

Compliance with standards and directives

Standard conformity	
Standards	EN 60947-5-2:2007 IEC 60947-5-2:2007

Approvals and certificates

UL approval	cULus Listed, General Purpose
CSA approval	cCSAus Listed, General Purpose
CCC approval	Certified by China Compulsory Certification (CCC)

Release date: 2012-06-20 07:53 Date of issue: 2012-06-20 086262_eng.xml