



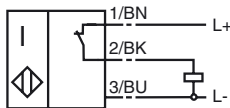
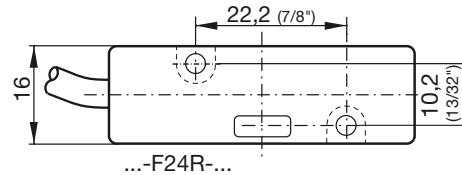
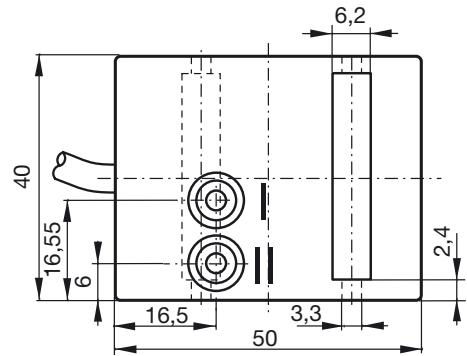
CE

Model Number

NBN3-F24R-E8

Connection

E3

**Dimensions****Technical Data****General specifications**

Switching element function		PNP	Dual NO
Rated operating distance	s_n	3 mm	
Installation		not embeddable	
Output polarity		switched high	
Assured operating distance	s_a	0 ... 2.43 mm	
Reduction factor r_{A1}		0.3	
Reduction factor r_{Cu}		0.3	
Reduction factor r_{V2A}		0.8	
Reduction factor r_{St37}		1	

Nominal ratings

Operating voltage	U_B	10 ... 30 V
Switching frequency	f	0 ... 600 Hz
Hysteresis	H	typ. 5 %
Reverse polarity protected		reverse polarity protected
Short-circuit protection		pulsing
Voltage drop	U_d	≤ 3 V
Operating current	I_L	0 ... 100 mA
Off-state current	I_r	0 ... 0.5 mA typ. 0.1 μ A at 25 °C
No-load supply current	I_0	≤ 15 mA
Indication of the switching state		LED, yellow

Standard conformity

Standards	IEC / EN 60947-5-2:2004
-----------	-------------------------

Ambient conditions

Ambient temperature	-25 ... 70 °C (-13 ... 158 °F)
Storage temperature	-40 ... 85 °C (-40 ... 185 °F)

Mechanical specifications

Core cross-section	0.14 mm ²
Core cross-section (system side)	0.14 mm ²
Housing material	PC
Sensing face	PC
Protection degree	IP67