



CE

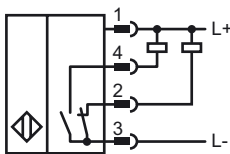
### Model Number

NBN30-L2-A0-V1

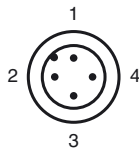
### Features

- Basic series
- 30 mm not embeddable

### Connection



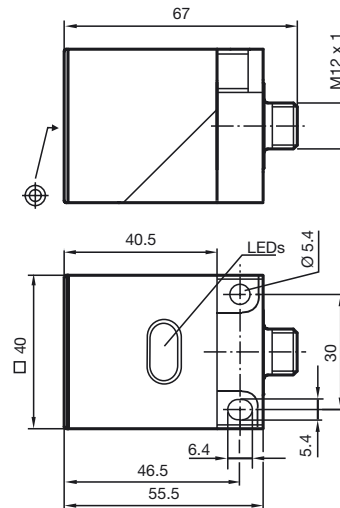
### Pinout



Wire colors in accordance with EN 60947-5-2

1	BN
2	WH
3	BU
4	BK

### Dimensions



### Technical Data

#### General specifications

Switching element function	NPN	Antivalent
Rated operating distance	$s_n$	30 mm
Installation	not embeddable	
Output polarity	DC	
Assured operating distance	$s_a$	0 ... 24.3 mm
Reduction factor $r_{AI}$	0.5	
Reduction factor $r_{Cu}$	0.45	
Reduction factor $r_{V2A}$	0.85	

#### Nominal ratings

Operating voltage	$U_B$	10 ... 30 V
Switching frequency	$f$	0 ... 150 Hz
Hysteresis	$H$	typ. 5 %
Reverse polarity protection	protected against reverse polarity	
Short-circuit protection	pulsing	
Voltage drop	$U_d$	$\leq 3$ V
Operating current	$I_L$	0 ... 200 mA
Off-state current	$I_r$	0 ... 0.5 mA typ. 0.1 $\mu$ A at 25 °C
No-load supply current	$I_0$	$\leq 20$ mA
Operating voltage display	LED, green	
Indication of the switching state	LED, yellow	

#### Standard conformity

Standards	IEC / EN 60947-5-2:2004
-----------	-------------------------

#### Ambient conditions

Ambient temperature	-25 ... 70 °C (248 ... 343 K)
---------------------	-------------------------------

#### Mechanical specifications

Connection type	V1-connector
Housing material	PBT
Sensing face	PBT
Protection degree	IP67