



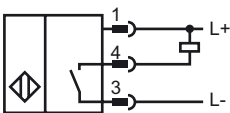
**Model Number**

NBN30-L2-E0-V1

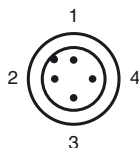
**Features**

- Basic series
- 30 mm not embeddable

**Connection**



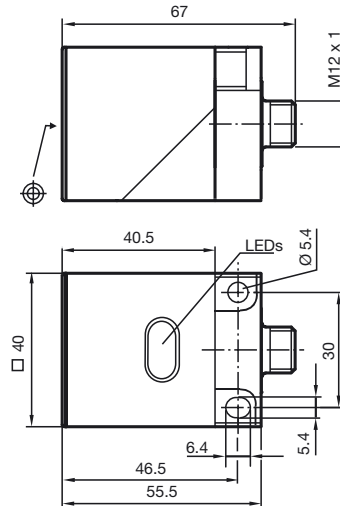
**Pinout**



Wire colors in accordance with EN 60947-5-2

|   |    |
|---|----|
| 1 | BN |
| 2 | WH |
| 3 | BU |
| 4 | BK |

**Dimensions**



**Technical Data**

**General specifications**

|                            |       |                |
|----------------------------|-------|----------------|
| Switching element function | NPN   | Make function  |
| Rated operating distance   | $s_n$ | 30 mm          |
| Installation               |       | not embeddable |
| Output polarity            |       | DC             |
| Assured operating distance | $s_a$ | 0 ... 24.3 mm  |
| Reduction factor $r_{AI}$  |       | 0.5            |
| Reduction factor $r_{Cu}$  |       | 0.45           |
| Reduction factor $r_{V2A}$ |       | 0.85           |

**Nominal ratings**

|                                   |       |                                        |
|-----------------------------------|-------|----------------------------------------|
| Operating voltage                 | $U_B$ | 10 ... 30 V                            |
| Switching frequency               | f     | 0 ... 150 Hz                           |
| Hysteresis                        | H     | typ. 5 %                               |
| Reverse polarity protection       |       | protected against reverse polarity     |
| Short-circuit protection          |       | pulsing                                |
| Voltage drop                      | $U_d$ | $\leq 3$ V                             |
| Operating current                 | $I_L$ | 0 ... 200 mA                           |
| Off-state current                 | $I_r$ | 0 ... 0.5 mA typ. 0.1 $\mu$ A at 25 °C |
| No-load supply current            | $I_0$ | $\leq 20$ mA                           |
| Operating voltage display         |       | LED, green                             |
| Indication of the switching state |       | LED, yellow                            |

**Standard conformity**

|           |                         |
|-----------|-------------------------|
| Standards | IEC / EN 60947-5-2:2004 |
|-----------|-------------------------|

**Ambient conditions**

|                     |                               |
|---------------------|-------------------------------|
| Ambient temperature | -25 ... 70 °C (248 ... 343 K) |
|---------------------|-------------------------------|

**Mechanical specifications**

|                   |              |
|-------------------|--------------|
| Connection type   | V1-connector |
| Housing material  | PBT          |
| Sensing face      | PBT          |
| Protection degree | IP67         |

Release date: 2009-11-17 10:58 Date of issue: 2009-11-17 085964\_ENG.xml