



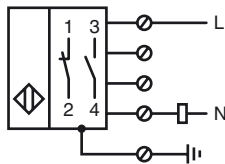
Model Number

NJ40+U4+W

Features

- 40 mm not embeddable
- 2-wire AC
- Limit switch style housing
- Metal base 1/2" NPT

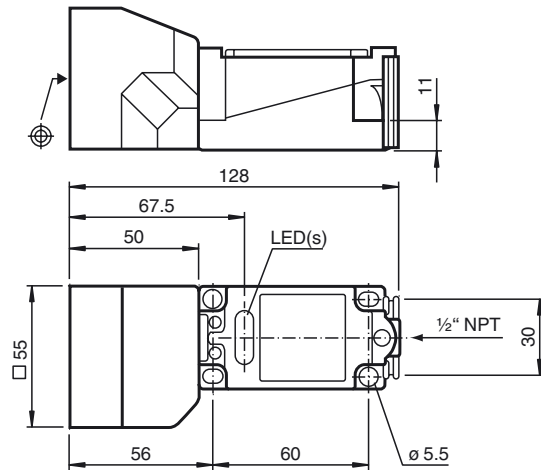
Connection



Accessories

MHW 01
Modular mounting bracket

Dimensions



Technical Data

General specifications

| | | |
|----------------------------|-------|----------------|
| Switching element function | AC | NO/NC |
| Rated operating distance | s_n | 40 mm |
| Installation | | not embeddable |
| Output polarity | | AC |
| Assured operating distance | s_a | 0 ... 32.4 mm |
| Reduction factor r_{Al} | | 0.5 |
| Reduction factor r_{Cu} | | 0.45 |
| Reduction factor r_{V2A} | | 0.8 |

Nominal ratings

| | | |
|-----------------------------------|-------|-----------------------------|
| Operating voltage AC | | 20 ... 253 V ¹⁾ |
| Switching frequency | f | 0 ... 20 Hz |
| Hysteresis | H | 1 ... 10 typ. 5 % |
| Voltage drop | U_d | ≤ 5 V |
| Momentary current (20 ms, 0.1 Hz) | | 0 ... 3000 mA |
| Operating current | I_L | 8 ... 500 mA |
| Off-state current | I_r | 0.5 ... 1.95 mA typ. 1.2 mA |
| Operating voltage display | | LED, green |
| Indication of the switching state | | LED, yellow |

Ambient conditions

| | |
|---------------------|--------------------------------|
| Ambient temperature | -25 ... 70 °C (-13 ... 158 °F) |
| Storage temperature | -25 ... 85 °C (-13 ... 185 °F) |

Mechanical specifications

| | |
|--------------------|-----------------------|
| Connection type | screw terminals |
| Core cross-section | ≤ 2.5 mm ² |
| Housing material | PBT/metal |
| Sensing face | PBT |
| Protection degree | IP68 |

Note
¹⁾ In the temperature range below 0 °C, permissible operating voltage U_b 80...253 V
Safety fuse ≤ 2 A (quick-blow) according to IEC 60127-2 Sheet 1
Recommendation: after a short circuit, check that the device is functioning correctly.

General information

| | |
|---------------------------|--|
| Supplementary information | Connection selectable as normally open or normally closed operation. Only wire one output per device. |
|---------------------------|--|

Compliance with standards and directives

| | |
|---------------------|---|
| Standard conformity | |
| Standards | EN 60947-5-2:2007 IEC 60947-5-2:2007 |

Approvals and certificates

| | |
|--------------|---|
| UL approval | cULus Listed, General Purpose |
| CSA approval | cCSAus Listed, General Purpose |
| CCC approval | Certified by China Compulsory Certification (CCC) |

Release date: 2011-03-07 17:54 Date of issue: 2011-03-07 085592_ENG.xml