



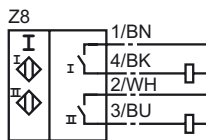
### Model Number

NBN3-F25-Z8-0,14

### Features

- For installation in housing
- Satisfies machinery directive

### Connection



### Accessories

#### BT32

Activator for F25 series

#### BT32XS

Activator for F25 series

#### BT32XAS

Activator for F25 series

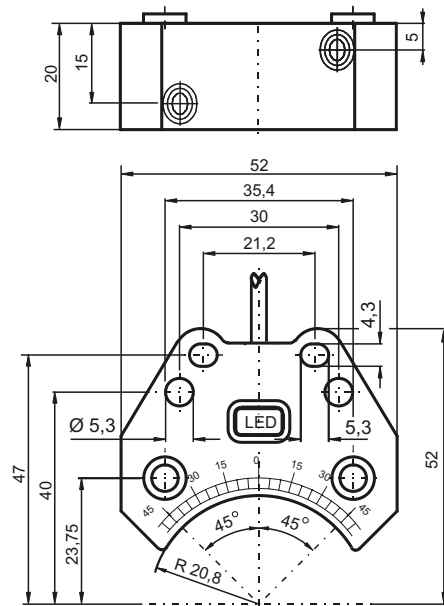
#### BT33

Activator for F25 series

#### BT34

Activator for F25 series

### Dimensions



### Technical Data

#### General specifications

Switching element function	Dual (NO)
Rated operating distance	$s_n$ 3 mm
Installation	embeddable mountable
Output polarity	DC
Assured operating distance	$s_a$ 0 ... 2.43 mm
Reduction factor $r_{Al}$	0.5
Reduction factor $r_{Cu}$	0.4
Reduction factor $r_{304}$	1
Reduction factor $r_{Si37}$	1.1

#### Nominal ratings

Operating voltage	$U_B$ 6 ... 60 V DC
Switching frequency	$f$ 0 ... 500 Hz
Hysteresis	$H$ typ. 0.2 %
Reverse polarity protected	tolerant
Short-circuit protection	no
Voltage drop	$U_d$ $\leq$ 5 V
Operating current	$I_L$ 4 ... 100 mA
Lowest operating current	$I_m$ 4 mA
Off-state current	$I_r$ 0 ... 1 mA typ. 0.7 mA
Indication of the switching state	LED, yellow

#### Ambient conditions

Ambient temperature	-25 ... 70 °C (-13 ... 158 °F)
---------------------	--------------------------------

#### Mechanical specifications

Connection type	cable PVC , 180 mm
Core cross-section	0.14 mm <sup>2</sup>
Housing material	PBT
Sensing face	PBT
Protection degree	IP67
Tightening torque, fastening screws	M5 x 25 : 2.7 Nm
Note	Installation in housing

#### Compliance with standards and directives

Standard conformity	
Standards	EN 60947-5-2:2007 IEC 60947-5-2:2007

#### Approvals and certificates

UL approval	cULus Listed, General Purpose
CSA approval	cCSAus Listed, General Purpose