



OBT500-18GM70-E5

Reflection light scanner

OBT500-18GM70-E5

with 2 m fixed cable or 4-pin, M12 connector

CE



- ◆ Sensing range up to 500 mm
- ◆ Light/dark ON, programmable
- ◆ Protection degree IP67
- ◆ Strong metallic housing in cylindrical shape M18 x 1
- ◆ Sensitivity adjuster for optimal adaptation to the application
- ◆ LED indicator for a simple operation start

Release date: 2004-07-20 09:39 Date of issue: 2005-07-06 08:48:23_ENG.xml

General specifications

| | |
|---------------------|---|
| Detection range | 0 ... 500 mm |
| Adjustment range | 5 ... 500 mm |
| Reference target | standard white 200 mm x 200 mm |
| Light type | IR-light 940 nm |
| Ambient light limit | ≤ 10000 Lux sun light ≤ 3000 Lux halogen light |

Indicators/operating means

| | |
|--------------------|-----------------------------|
| Function display | LED yellow: switching state |
| Operating elements | sensitivity adjuster |

Electrical specifications

| | |
|--------------------------------------|---------|
| No-load supply current I_0 | ≤ 20 mA |
| Time delay before availability t_v | 50 ms |

Output

| | |
|--------------------------|-----------------------------|
| Switching type | Light/dark ON, programmable |
| Voltage drop U_d | ≤ 2.5 V |
| Switching frequency f | ≤ 300 Hz |
| Switch-on delay t_{on} | 1.5 ms |

Standard conformity

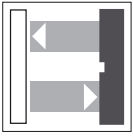
| | |
|-----------|--------------|
| Standards | EN 60947-5-2 |
|-----------|--------------|

Ambient conditions

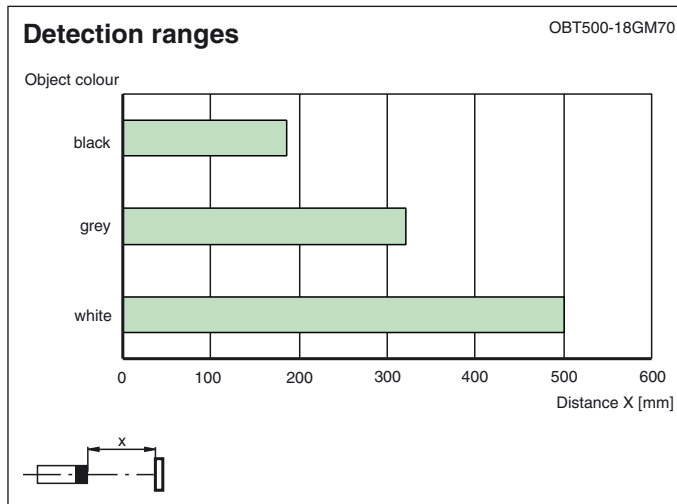
| | |
|---------------------|-------------------------------|
| Ambient temperature | -25 ... 55 °C (248 ... 328 K) |
| Storage temperature | -40 ... 70 °C (233 ... 343 K) |

Mechanical specifications

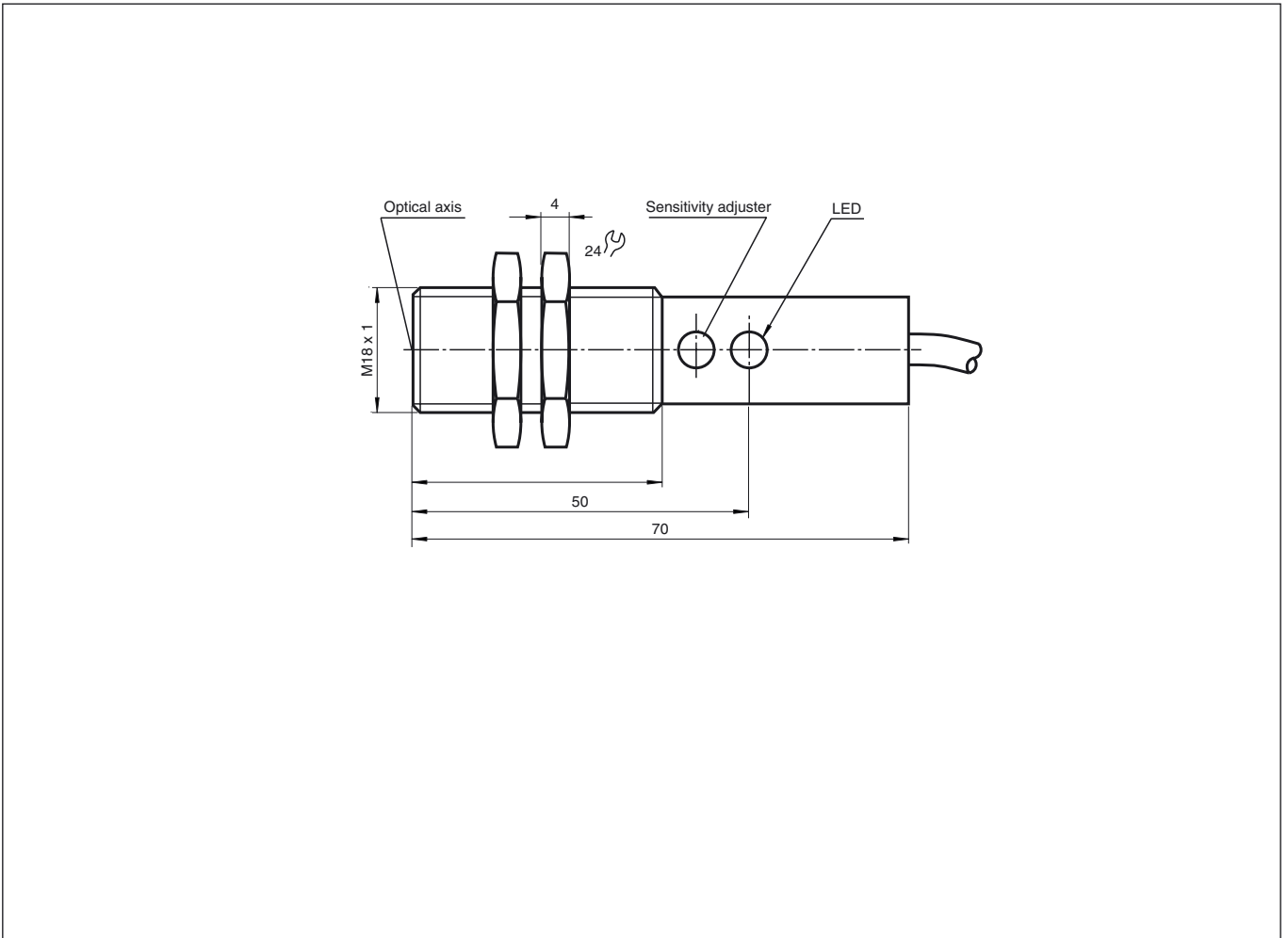
| | |
|-------------------|---|
| Protection degree | IP67 according to EN 60529 |
| Connection | 2 m cable, 3 x 0,34 mm ² , PVC |
| Material | |
| Housing | brass, nickel-plated |
| Optical face | PC |
| Mass | 45 g |



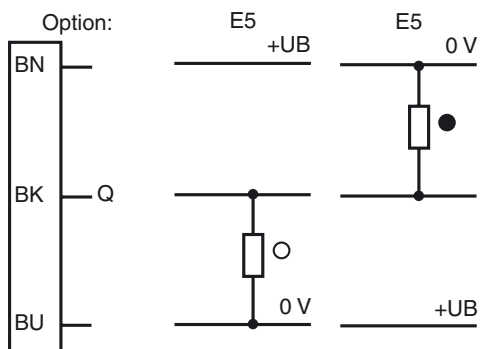
OBT500-18GM70-E5



Dimensions



Electrical connection



○ = light on, ● = dark on

Release date: 2004-07-20 09:39 Date of issue: 2005-07-06 084823_ENG.xml