



OBT500-18GM70-E4-V1

Reflection light scanner

OBT500-18GM70-E4-V1

with 2 m fixed cable or 4-pin, M12 connector

CE



- ◆ Sensing range up to 500 mm
- ◆ Light/dark ON, programmable
- ◆ Protection degree IP67
- ◆ Strong metallic housing in cylindrical shape M18 x 1
- ◆ Sensitivity adjuster for optimal adaptation to the application
- ◆ LED indicator for a simple operation start

Release date: 2004-07-20 09:39 Date of issue: 2005-07-06 08:4822_ENG.xml

General specifications

Detection range	0 ... 500 mm
Adjustment range	5 ... 500 mm
Reference target	standard white 200 mm x 200 mm
Light type	IR-light 940 nm
Ambient light limit	≤ 10000 Lux sun light ≤ 3000 Lux halogen light

Indicators/operating means

Function display	LED yellow: switching state
Operating elements	sensitivity adjuster

Electrical specifications

No-load supply current I_0	≤ 20 mA
Time delay before availability t_v	50 ms

Output

Switching type	Light/dark ON, programmable
Voltage drop U_d	≤ 2.5 V
Switching frequency f	≤ 300 Hz
Switch-on delay t_{on}	1.5 ms

Standard conformity

Standards	EN 60947-5-2
-----------	--------------

Ambient conditions

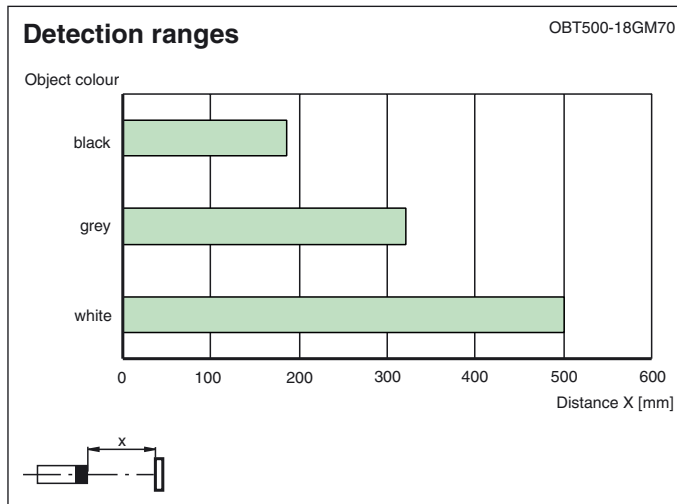
Ambient temperature	-25 ... 55 °C (248 ... 328 K)
Storage temperature	-40 ... 70 °C (233 ... 343 K)

Mechanical specifications

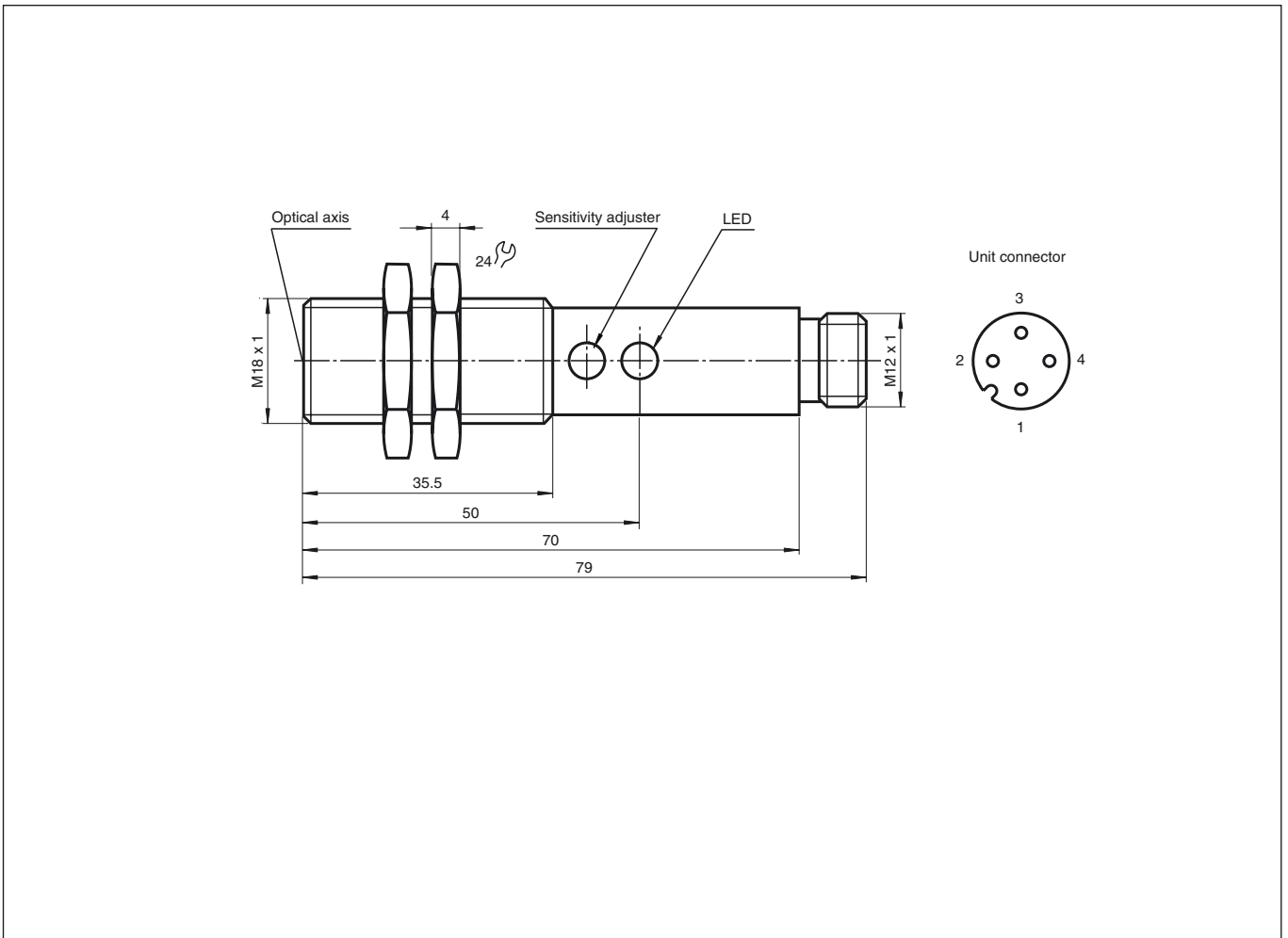
Protection degree	IP67 according to EN 60529
Connection	connector M12 x 1
Material	
Housing	brass, nickel-plated
Optical face	PC
Mass	45 g



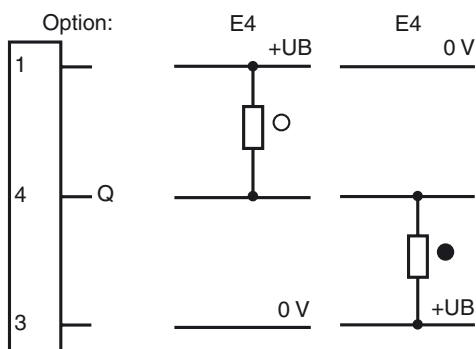
OBT500-18GM70-E4-V1



Dimensions



Electrical connection



○ = light on, ● = dark on