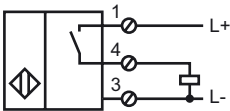
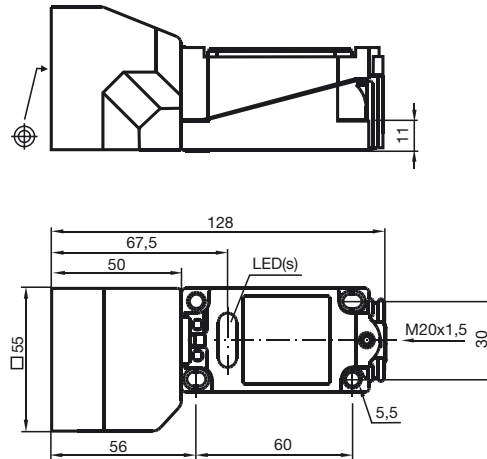




CE

**Model Number**

NJ40+U1+E2-T

**Connection****Dimensions****Technical Data****General specifications**

Switching element function		PNP	Make function
Rated operating distance	$s_n$	40 mm	
Installation		not embeddable	
Output polarity		switched high	
Assured operating distance	$s_a$	0 ... 32.4 mm	
Reduction factor $r_{A1}$		0.4	
Reduction factor $r_{Cu}$		0.3	
Reduction factor $r_{V2A}$		0.85	

**Nominal ratings**

Operating voltage	$U_B$	10 ... 60 V
Switching frequency	$f$	0 ... 300 Hz
Hysteresis	$H$	typ. 3 %
Reverse polarity protection		protected against reverse polarity
Short-circuit protection		pulsing
Voltage drop	$U_d$	$\leq 3$ V
Operating current	$I_L$	0 ... 200 mA
No-load supply current	$I_0$	$\leq 20$ mA
Operating voltage display		LED, green
Indication of the switching state		LED, yellow

**Standard conformity**

Standards	IEC / EN 60947-5-2:2004
-----------	-------------------------

**Ambient conditions**

Ambient temperature	-25 ... 100 °C (248 ... 373 K)
---------------------	--------------------------------

**Mechanical specifications**

Connection type	terminal compartment
Core cross-section	up to 2.5 mm <sup>2</sup>
Housing material	PBT
Sensing face	PBT
Protection degree	IP68