



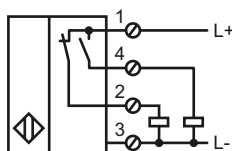
## Model Number

NJ15+U1+A2-T

## Features

- Temperature range  
-25 ... 100 °C (-13 ... 212 °F)
- 15 mm embeddable

## Connection

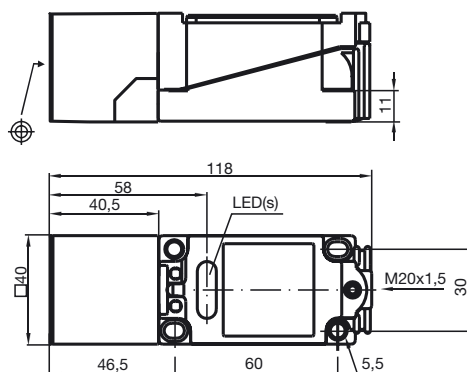


## Accessories

### MHW 01

Modular mounting bracket

## Dimensions



## Technical Data

### General specifications

Switching element function		PNP	NO/NC
Rated operating distance	$s_n$	15 mm	
Installation		embeddable	
Output polarity		DC	
Assured operating distance	$s_a$	0 ... 12.15 mm	
Reduction factor $r_{Al}$		0.4	
Reduction factor $r_{Cu}$		0.3	
Reduction factor $r_{303}$		0.85	

### Nominal ratings

Operating voltage	$U_B$	10 ... 60 V	
Switching frequency	$f$	0 ... 150 Hz	
Hysteresis	$H$	typ. 3 %	
Reverse polarity protected		reverse polarity protected	
Short-circuit protection		pulsing	
Voltage drop	$U_d$	$\leq 3$ V	
Operating current	$I_L$	0 ... 200 mA	
Off-state current	$I_r$	0 ... 0.5 mA typ. 0.01 mA	
No-load supply current	$I_0$	$\leq 20$ mA	
Operating voltage display		LED, green	
Indication of the switching state		LED, yellow	

### Ambient conditions

Ambient temperature		-25 ... 100 °C (-13 ... 212 °F)
---------------------	--	---------------------------------

### Mechanical specifications

Connection type		screw terminals
Core cross-section		up to 2.5 mm <sup>2</sup>
Housing material		PBT
Sensing face		PBT
Protection degree		IP68

### Compliance with standards and directives

Standard conformity		
Standards		EN 60947-5-2:2007 IEC 60947-5-2:2007

### Approvals and certificates

UL approval		cULus Listed, General Purpose
CSA approval		cCSAus Listed, General Purpose
CCC approval		Certified by China Compulsory Certification (CCC)